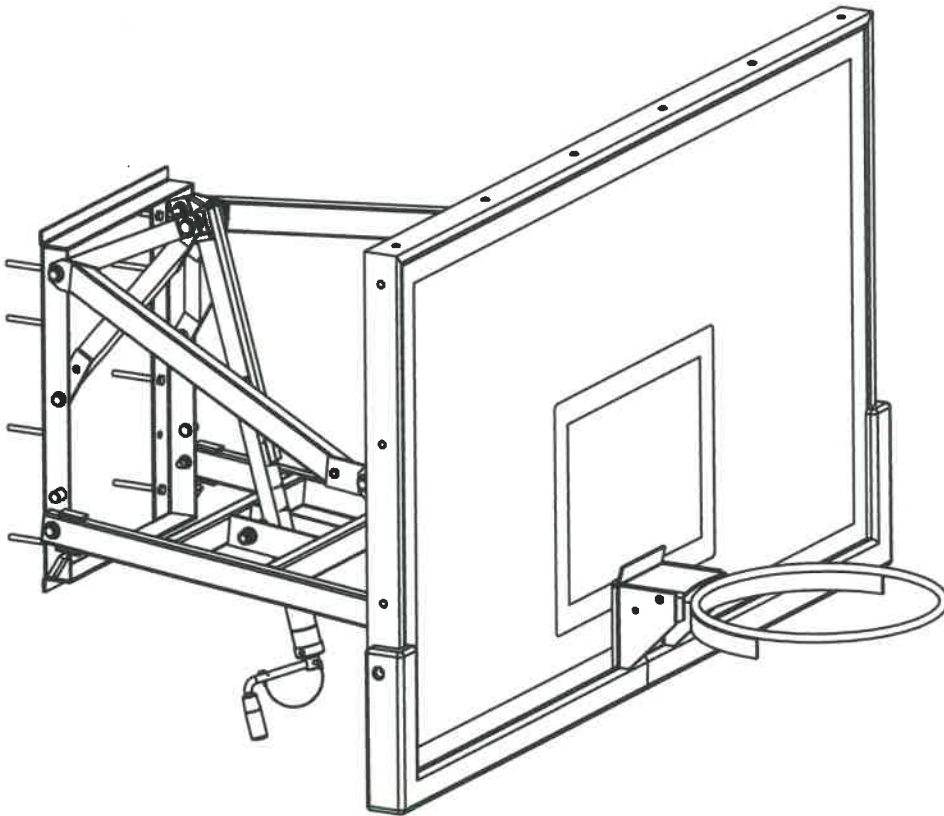




## Wall Mount CV Series

### ADJUSTABLE HEIGHT WALL MOUNT SYSTEM



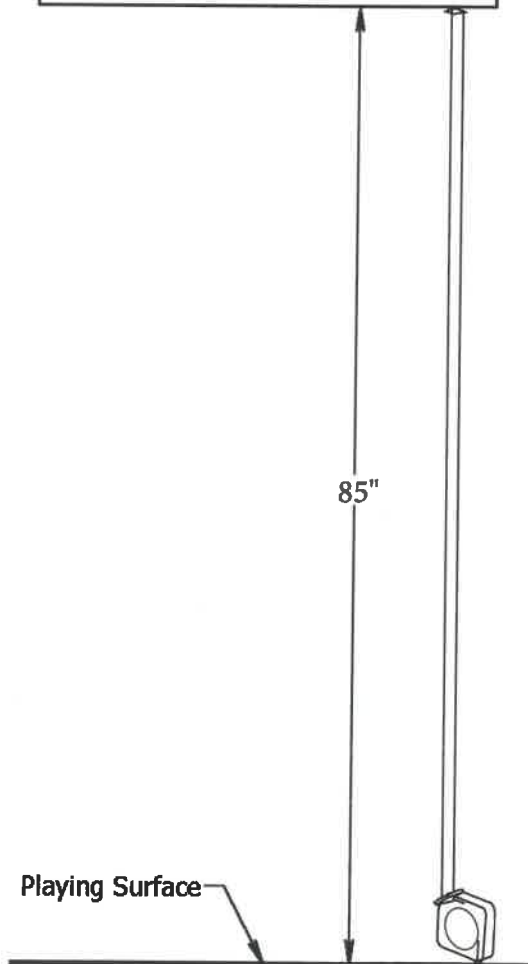
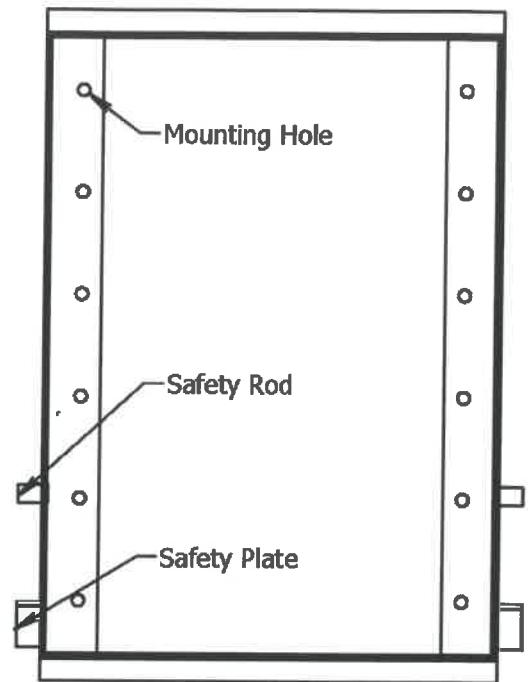
**WMCV60**  
**WMCV72**

*Installation  
& Owner's  
Instructions*

# Frame Attachment

A measure, level, drills and wrenches may be needed during assembly.

- 1. Determine where to place frame on mounting surface.**  
The frame is 28" x 21" ( HXW). The frame holes are 16" on center.  
*Use a level to make drawing the horizontal line easier.*
- 2. Draw a horizontal line at least 21" on the mounting surface** that is at least 85" up from the playing surface.
- 3. Unpack the frame.** Lay aside extension arms, mounting brackets.
- 4. Position and center frame bottom on the horizontal line** with the frame's Safety Plates towards the bottom.
- 5. Level frame horizontally and vertically using a level.** Mark the mounting holes needed for attachment of frame.
- 6. Drill appropriate size holes as needed in mounting surface** based upon type of wall fastener being used by customer or installer.
- 7. Loosely attach frame to mounting surface** using appropriate fasteners for the mounting surface.
- 8. Level frame horizontally and vertically** using a level and appropriately tighten fasteners.



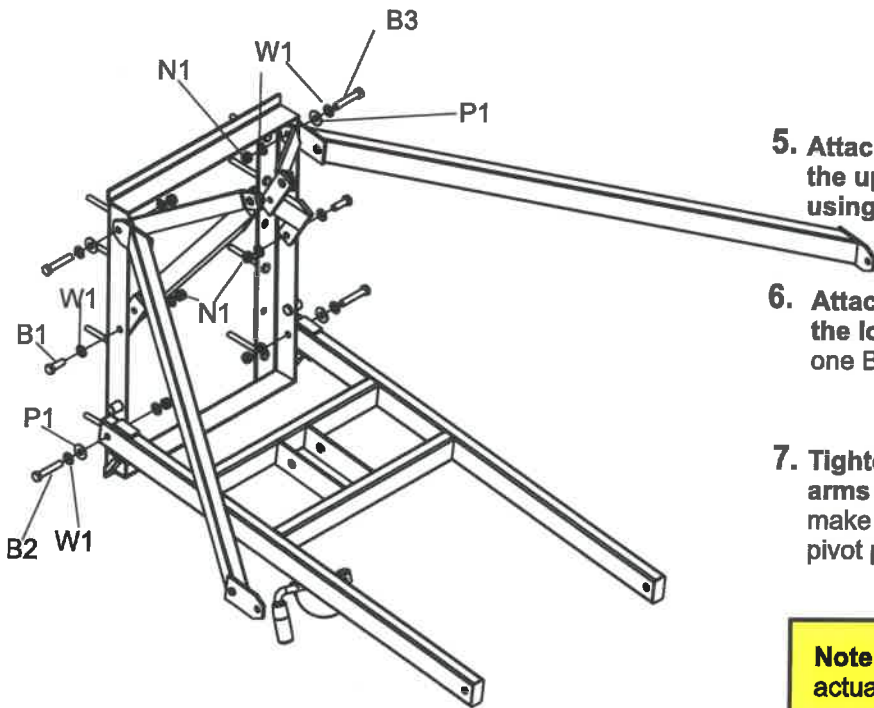
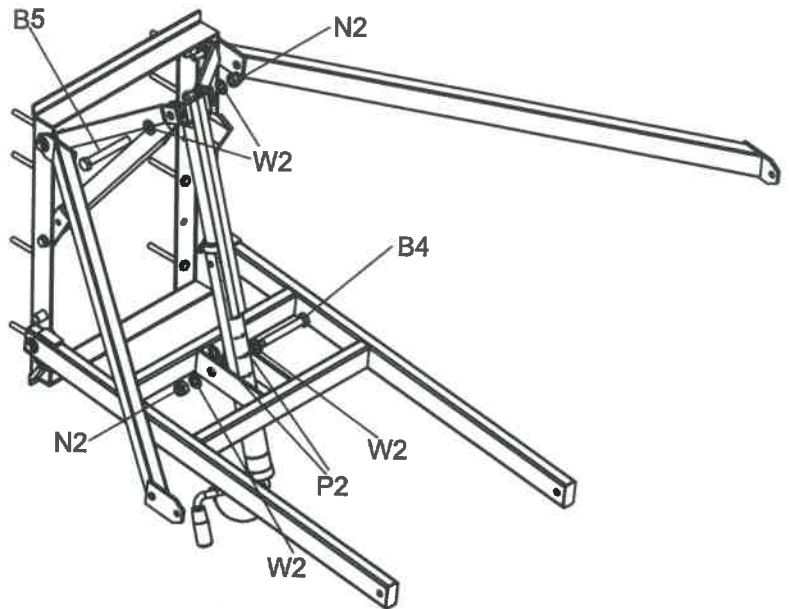
## IMPORTANT

- Bottom of frame should be 85" up from playing surface. This is needed to achieve full range of system height adjustability.
- Wall hanging location is the responsibility of the customer and/or installer.
- It is the responsibility of the customer and/or installer to determine how many of the frame's 12 mounting holes must be used to safely secure the wall mount system for play.
- Fasteners to be determined and provided by the customer and/or installer.

# Frame Assembly

**Note:** Lower mounting brackets are shorter than the upper ones.

1. Unpack extension arms and mounting brackets.
2. Align lower extension arm holes to outside holes of the frame flange.  
Connect using the hardware two B2, four W1, two P1 and two N1. Another two plastic washer P1 will be between the extension arm and the frame.  
**Note: DO NOT over-tight. Snug tighten only.**
3. Attach the upper extension arms and upper mounting brackets to the frame flange using the hardware two B3, four W1, two P1 and two N1. Another two plastic washer P1 will be between the extension arm and the frame. They are factory attached.
4. Attach the lower mounting bracket to the frame using two B2, four W1 and two N1.



5. Attach upper mount of actuator assembly to the upper and lower mounting brackets using one B5, two W2 and one N2.
6. Attach lower mount of actuator assembly to the lower extension arm using one B4, two W2, two P2 and one N2.
7. Tighten all extension arm bolts to extension arms and mounting brackets. Tighten B2, but make sure free movement is maintained at the pivot point.

**Note:** The plastic washers P2 will be between the actuator and mounting brackets.

**DO NOT over-tighten. Snug tighten only.**

| Item | Description        | Quantity |
|------|--------------------|----------|
| B1   | Hex bolt M12*35mm  | 4        |
| B2   | Hex bolt M12*65mm  | 2        |
| B3   | Hex bolt M12*45mm  | 2        |
| N1   | Hex nut M12        | 6        |
| W1   | Flat washer M12    | 12       |
| P1   | Plastic washer M12 | 8        |

| Item | Description        | Quantity |
|------|--------------------|----------|
| B4   | Hex bolt M16*115mm | 1        |
| B5   | Hex bolt M16*135mm | 1        |
| N2   | Hex nut M16        | 2        |
| W2   | Flat washer M16    | 4        |
| P2   | Plastic washer M16 | 4        |

## Backboard Assembly

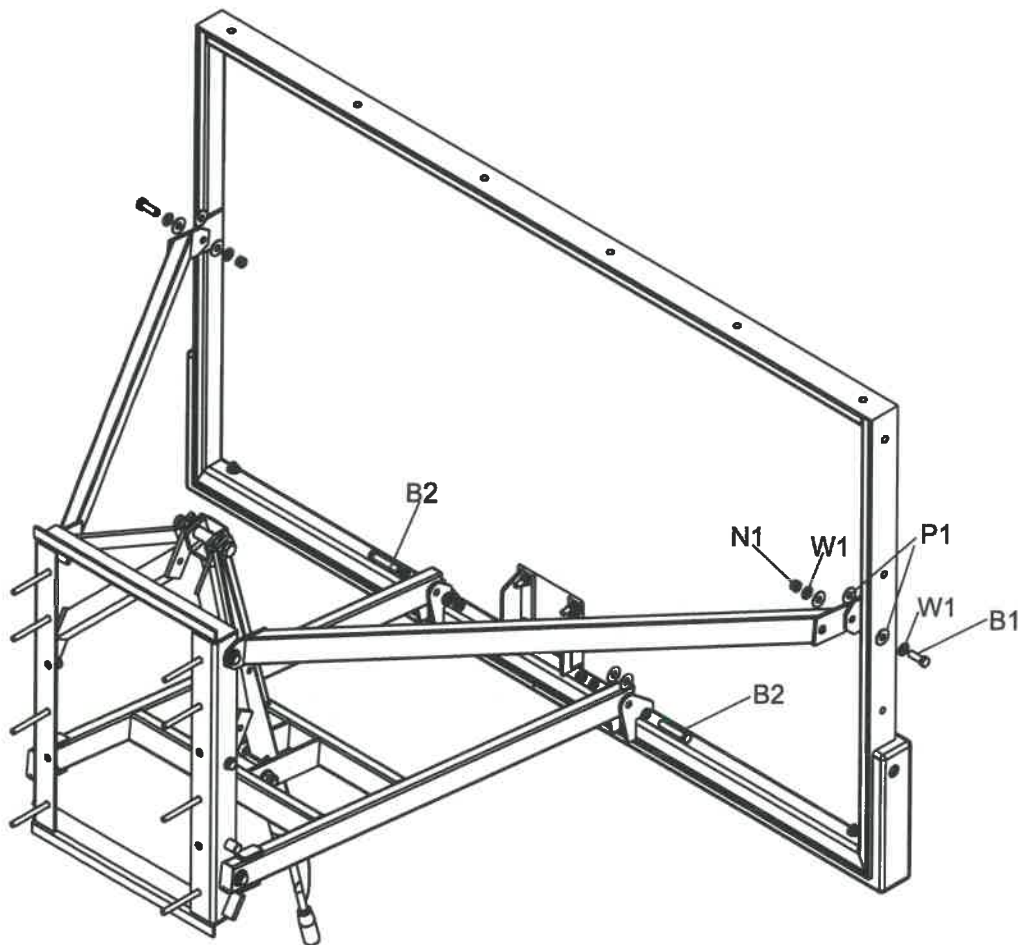
**Note:** Extension arms must be in the lowered position.

1. Open lid of box containing the backboard and slide the backboard face down, with rim mounting plate facing towards the system mounting surface.
2. Carefully lift the backboard from the box and align upper backboard holes with upper extension arm holes using two B1, four W1 and two N1.
3. Align lower backboard holes with the lower extension arm holes using two B2, four W1 and two N1.

| Item | Description        | Quantity |
|------|--------------------|----------|
| B2   | Hex bolt M12*65mm  | 2        |
| N1   | Hex nut M12        | 4        |
| W1   | Flat washer M12    | 8        |
| P1   | Plastic washer M12 | 12       |

**Note:**

- Extension arms attach to the outside of backboard's H-frame.
- Plastic washer will be between backboard and extension arm.
- DO NOT over-tighten. Snug tighten, so that bushings in arms meet bushings in backboard.



## Final Attachment

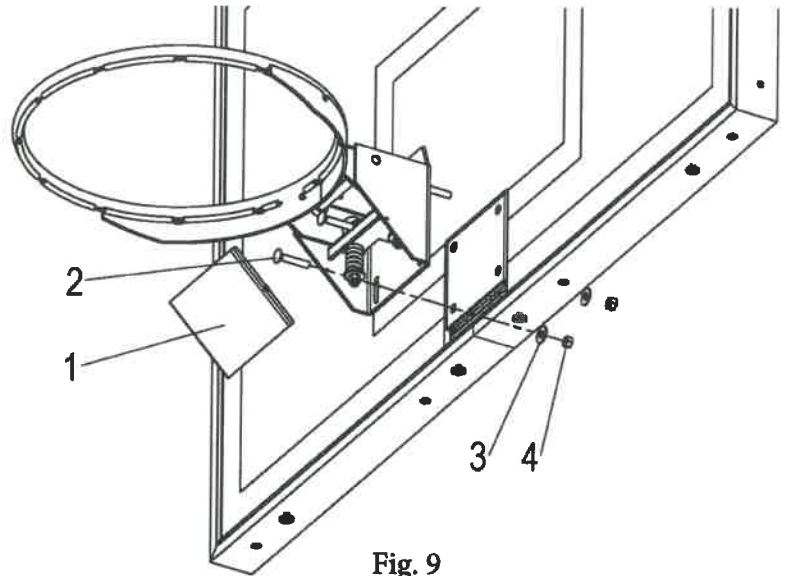
### 1. Attach rim to Backboard.

Remove the Rim box cover (#1), put Rim against the Backboard and align holes. Attach with four Carriage bolts M10x55 (#2), Flat washers M10 (#3), and Flange nuts M10 (#4).

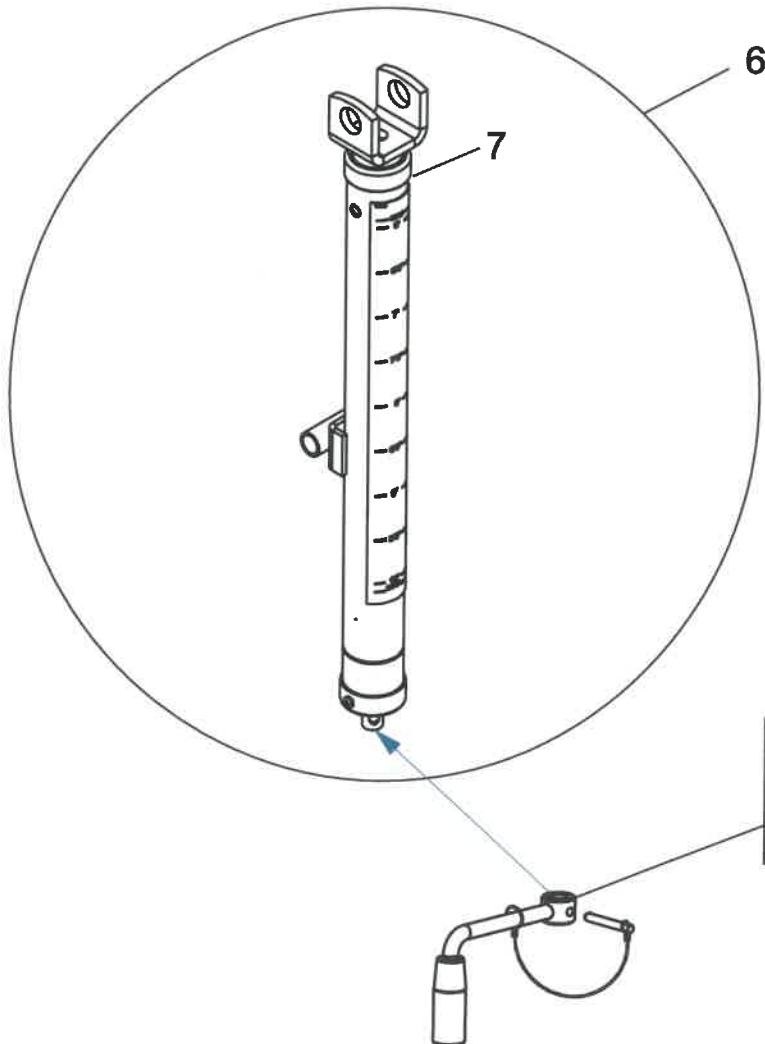
See Figure 9 .

**Tighten all four bolts and nuts completely.**

Put Rim box cover back and secure it with removed screws.



**Note: Tighten all four bolts and nuts completely.  
Put Rim box cover back and secure it with removed screws.**



### Apply Rim Height Sticker

Use a tape measure to crank rim up to exactly 10' from playing surface. Make a line mark on the Actuator (#6) against upper edge of Actuator Sleeve (#7). Crank the rim all the way down to the extreme end. Peel and apply Rim Height sticker to outside of Actuator (#6) lining up the mark with the 10' mark on the Rim Height Sticker. See Detail on left hand.

**Attach crank to the bottom of the actuator, secure it with attached pin.**

**PROformance Hoops Warranty**  
(PROview® Series, PROforce Series, Pro Series, Extreme Series and Wall Mounts)

**BUYER AGREES THAT ALL PRODUCTS SOLD BY PROformance Hoops CARRY THE FOLLOWING WARRANTY**

Subject to proper installation, and normal intended use, all structural components of **PROview® Series, PROforce Series, Pro Series, Extreme Series, and Wall Mount Basketball Systems** are warranted to the original owner to be free of defects in materials and workmanship for the duration of ownership by the original retail purchaser, subject to the limitations below. PROformance Hoops shall have the right to require the purchaser to deliver the allegedly defective products to PROformance Hoops for testing, repair, or replacement.

PROformance Hoops shall not be responsible for any expense associated with the replacement or removal of the product from its application for such delivery. Freight and handling charges may apply to covered warranty parts. Modification of any product by the customer, unless approved by PROformance Hoops, will void all warranty. Where listed as "**LIMITED**", the warranties shall cover damage of failure that occurs during the course of **NORMAL** or **INTENDED USE** of the product. Normal or intended use shall be described as activity that is necessary for the participation in the sport for which the equipment is damaged. **NOT COVERED** is damaged caused by deliberate hanging, multiple player hanging, vandalism, non-basketball activities, or any other activity that could be regarded as abusive.

Backboard Edge Padding: Three (3) year limited;  
Indoor Backboard Edge Padding: Five (5) year limited  
Custom-Fit Pole Padding: 3 year limited;  
Wrap-Around Pole Padding: one year limited.

**NOT COVERED BY THIS WARRANTY**

- Use in non-residential applications of glass backboards.
- Use in non-residential applications of traditional complete systems.
- Any products subjected to abuse, negligence, improper installation, vandalism, acts of God, alteration of product or any other events beyond the control of PROformance Hoops.
- Paint or rusted parts.
- Deterioration of product due to time and wear.

Normal deterioration of products due to atmospheric conditions, weather, rust, wear and tear (including paint), or other causes that do not affect functional use are not covered by PROformance Hoops warranties. All warranties are valid only when product is used in the intended application, and when installed according to PROformance Hoops instructions. Warranty will be void if maintenance instructions in the Owner's Manual are not followed, including jack lubrication on a bi-yearly basis. If you did not receive an Owner's Manual, please contact ProformanceHoops.com and one will be sent to you.

**WARRANTY CLAIMS:** All returns must be arranged through the local dealer if available. Warranties do not cover dealer service charges, labor charges, freight or travel expense associated with replacement, repair, or removal of warranty item. A warranty claim form must be completed, and photos submitted for any item you wish to claim under warranty. If the purchase was not made through a dealer, this form is available on proformance.com. In response to your claim, you will receive a confirmation as well as a notice stating whether PROformance Hoops needs your warranty item returned. PROformance Hoops will notify you if we determine that the item cannot be claimed under warranty. **PROformance Hoops is not responsible for any charges for labor to install or repair defective product prior authorization. PROformance Hoops will determine the most economical method to either repair or replace product before any work is to commence.**

**TO THE MAXIMUM EXTENT PERMITTED BY LAW, THIS WARRANTY AND THE REMEDIES SET FORTH HEREIN ARE EXCLUSIVE AND EXPRESSLY IN LIEU OF ALL OTHER WARRANTIES, EXPRESSED OR IMPLIED, INCLUDING WARRANTIES OR MERCHANTABILITY OR FITNESS FOR A PARTICULAR PURPOSE. IF PROFORMANCE HOOPS CANNOT DISCLAIM OR EXCLUDE IMPLIED WARRANTIES UNDER APPLICABLE LAW, THEN TO THE EXTENT POSSIBLE ANY CLAIMS UNDER SUCH IMPLIED WARRANTIES SHALL EXPIRE OR EXPIRATION OR THE APPLICABLE WARRANTY PERIOD. SOME STATES DO NOT ALLOW LIMITATIONS ON HOW LONG IMPLIED WARRANTY LASTS, SO THE ABOVE LIMITATION MAY NOT APPLY TO YOU. PROFORMANCE HOOPS DOES NOT ASSUME OR AUTHORIZE ANY PERSON TO ASSUME FOR US, ANY OTHER LIABILITY IN CONNECTION WITH THE SALE OF OUR PRODUCTS.**

**TO THE MAXIMUM EXTENT PERMITTED BY LAW, PROFORMANCE HOOPS ASSUMES NO RESPONSIBILITY FOR INCIDENTAL OR CONSEQUENTIAL DAMAGES, WHICH MAY ARISE FROM THE PURCHASERS OR USE OF OUR EQUIPMENT. SOME STATES DO NOT ALLOW THE EXCLUSION OR LIMITATIONS OF INCIDENTAL OR CONSEQUENTIAL DAMAGE, SO THE ABOVE LIMITATION OR EXCLUSION MAY NOT APPLY TO YOU.**

**IF ANY PROVISION OF THIS WARRANTY IS INVALID, VOID OR UNENFORCEABLE IN ANY INSTANCE OR RESPECT, THE UNENFORCEABLE PROVISION WILL BE SEVERED AND REFORMED TO EFFECT THE INTENT OF THIS LIMITED WARRANTY TO THE MAXIMUM EXTENT POSSIBLE, AND THE REMAINING PROVISIONS SHALL CONTINUE IN FULL FORCE AND EFFECT AND SHALL BE ENFORCED TO THE FULL EXTENT PERMITTED BY LAW.**

This warranty gives you specific legal rights, and you may also have other rights, which vary from state to state