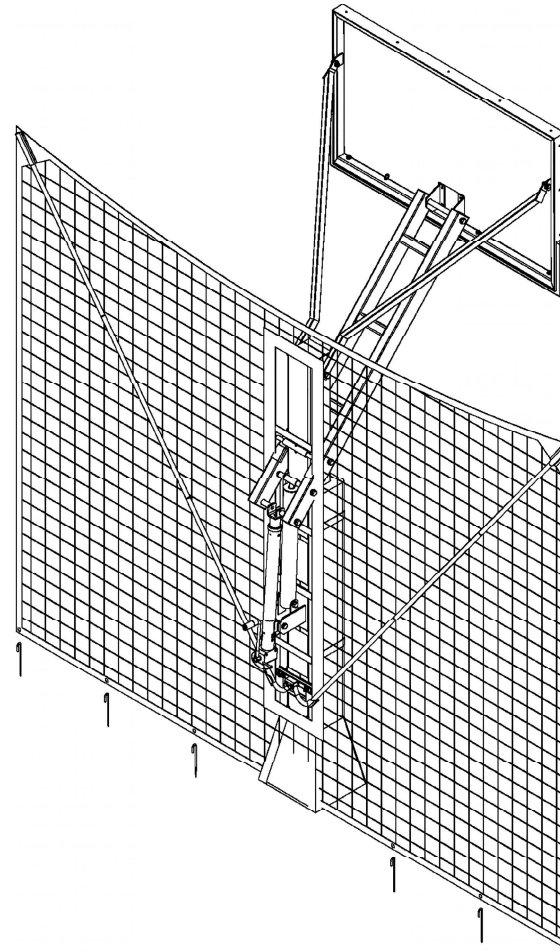


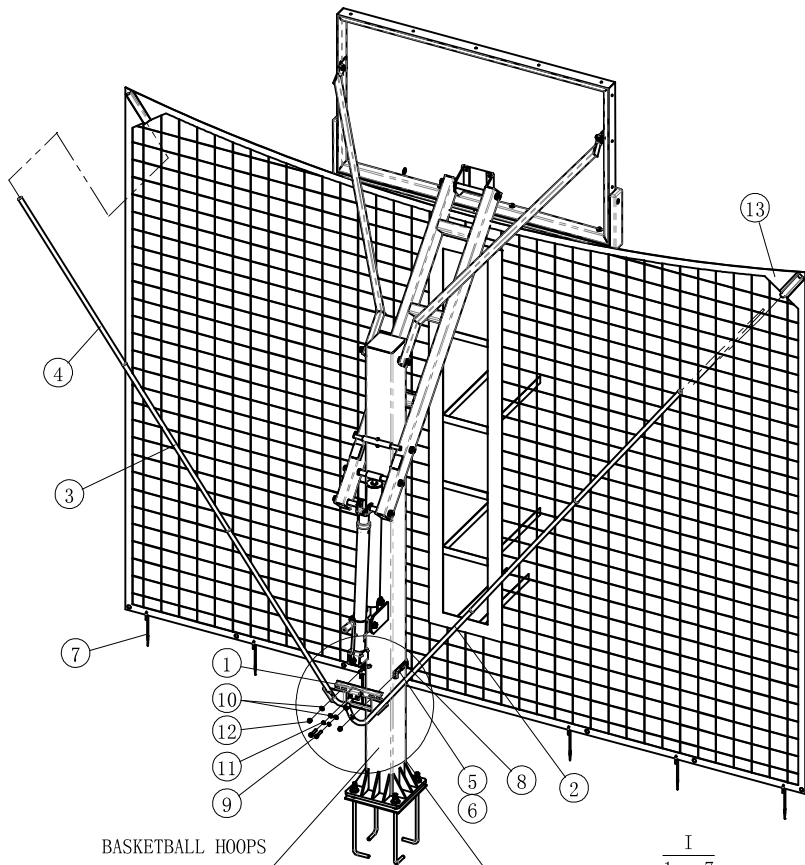


PROguard Containment Net System



G-N1750

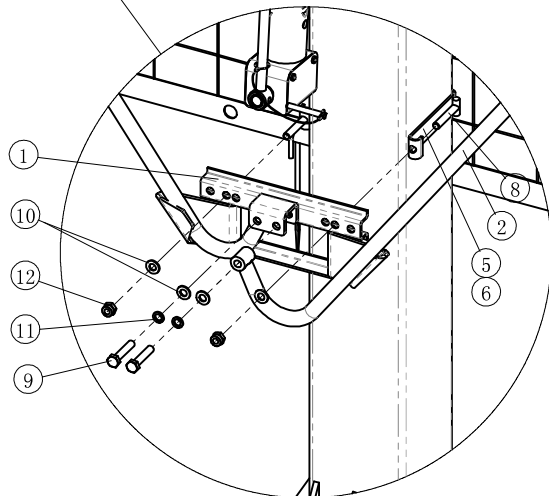
***Installation
& Owner's
Instructions***



$\frac{1}{1:7}$

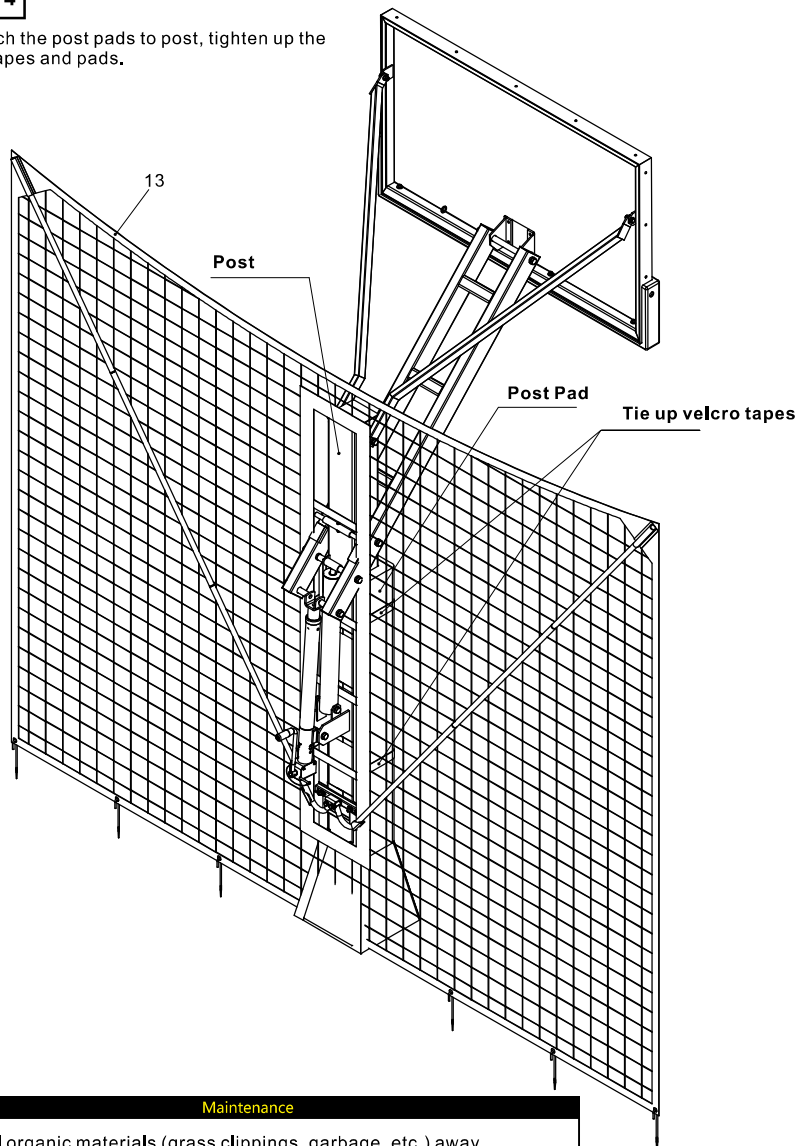
Part List

Item	Description	QTY
1	Mounting Bracket	1
2	Support Bar	2
3	Connect Bar (No tube cap)	2
4	Connect Bar (With tube cap)	2
5	Lock Bracket for 6" post	1
6	Lock Bracket for 5" post	1
7	Metal Ground Stakes	6
8	"T" Bolt M10*60	2
9	Hex Bolt M10*60	2
10	Washer for M10 bolt	4
11	Lock Washer M10	2
12	Nylon Nut M10	2
13	Net	1



STEP 4

Re-attach the post pads to post, tighten up the velcro tapes and pads.



Maintenance

Keep all organic materials (grass clippings, garbage, etc.) away from the Net.
Clean the Net periodically with water and a soft cotton cloth. Do not use abrasive materials to clean as it could damage the powder-coated finish.
If you see any signs of rust on the Net or basketball system remove the loose paint, gently sand the area, and apply outdoor enamel gloss paint to the affected area.

SAFETY INSTRUCTIONS



CAUTION



Owner/Purchaser must insure that all players have read these instructions and both know and follow these rules for the safe operation of the system.

To insure safety, DO NOT attempt to assemble this net system without following the instructions carefully. Proper and complete assembly, use and supervision, and full understanding of the instructions are essential for proper operation and to reduce the risk of accident or injury. A high probability of serious injury exists if this system is not installed, maintained, and operated properly.

Proper and complete assembly, use and supervision is essential for proper operation of the product and to reduce the risk of accident or injury.

Use caution when using this net system. Most injuries are caused by misuse and/or not following these instructions.

Only use parts provided by the manufacturer for installation as outlined in this manual as other parts may cause system to fail.

Installation of this product will require some lifting. (2) People in good physical are recommended for safe installation and assembly.

Retain this manual for future reference of operation, maintenance and parts information. The information in this manual is based on the latest information available at the time of publication. Your net system may have product improvements and options not yet contained in this manual. The manufacturer reserves the right to make changes at any time without notice or obligation.

Keep water and organic material away from net system as this could cause failure from rust/corrosion. Check system regularly for rust. If surface rust is found, remove the affected part and repaint with exterior enamel paint.



WARNING



FAILURE TO FOLLOW THESE WARNINGS & INSTRUCTIONS MAY RESULT IN SERIOUS INJURY, DEATH, AND / OR PROPERTY DAMAGE

Locate your net system away from potential dangers including trip hazards, high traffic areas, or where a vehicle may be in contact with the system.

To avoid serious injury, DO NOT locate the net system under a power line that may come into contact with the system as it is raised. Power lines should not be present within a 20 foot radius of system.

If using a ladder during assembly, use extreme caution. Follow all warnings and cautions on the ladder carefully.

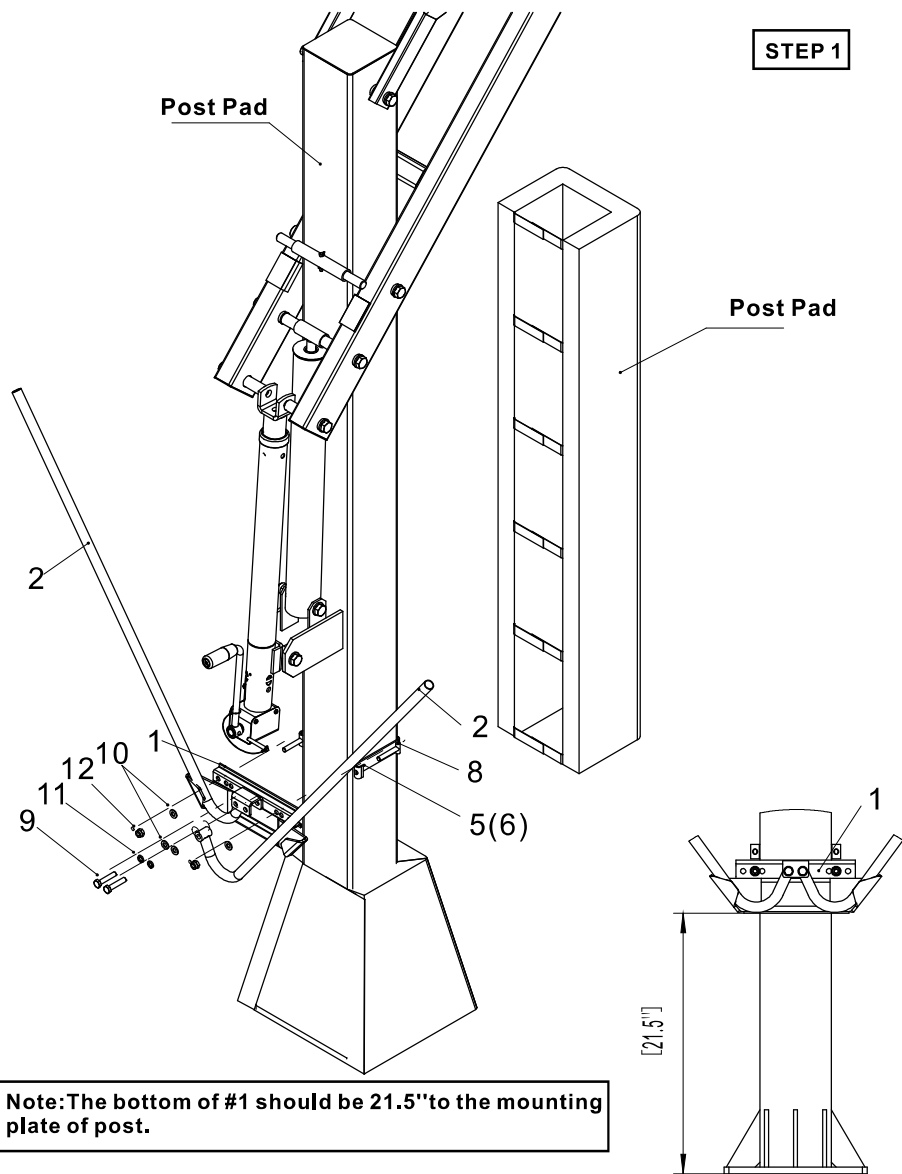
Use caution when playing in close proximity to this product. During play, do not wear jewelry (rings, watches, necklaces, etc.) or other objects that could become tangled in the net. Wear a dentist approved mouth guard when playing to avoid dental injuries. DO NOT JUMP, CLIMB, OR HANG on the net system or any part of the goal system. This includes the backboard, support braces and net. The product is not designed for such use and property damage or personal injuries such as cuts, broken bones, nerve, spinal cord or brain injury or death could occur.

Do not use the system to support anything and do not attach anything to this product. When adjusting the goal system height, keep hands/fingers away from moving parts. DO NOT ALLOW CHILDREN TO INSTALL / REMOVE NET SYSTEM.

Climate, corrosion, or misuse could result in system failure.

Check system before each use for loose hardware, signs of rust and instability. If the rust has penetrated the steel, replace that part immediately. Repair before each use. Never play on damaged equipment.

Disconnect the net when not in use, especially during bad weather.



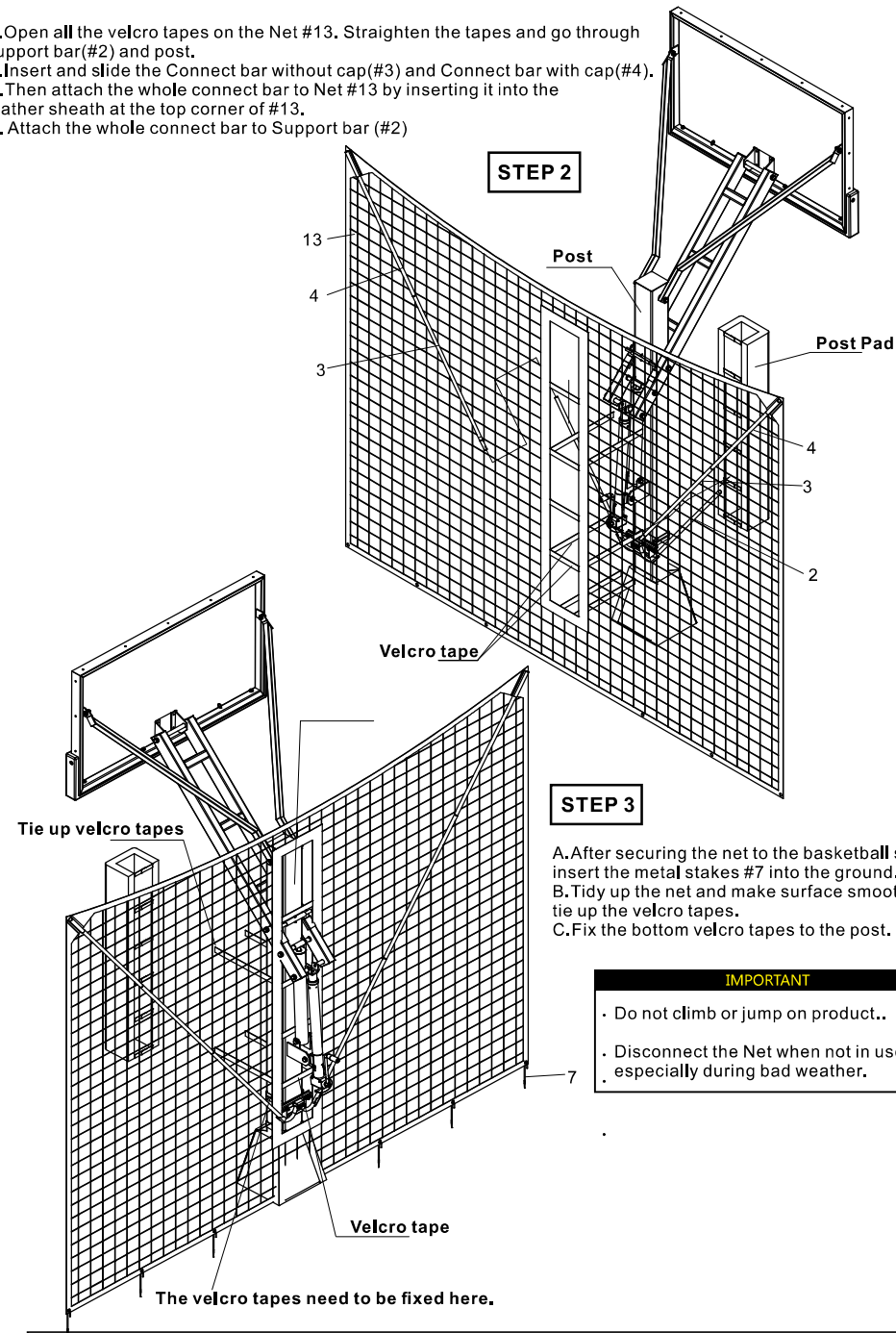
STEP 1

Note: The bottom of #1 should be 21.5" to the mounting plate of post.

- A. Move the pole pad away from the post.
- B. Attach the #1 Mounting Bracket to the rear of the main post using #5 or #6 Lock Bracket, two "T" Bolt M10*60(#8), two M10 washer(#10), two M10 Nylon nut(#12), then lock tight.
- C. Connecting support bar(#2) with #1 by using two M10*60 Hex Bolt(#9), four M10 washer(#10) and two M10 Lock Washer (#11)

Note: Lock tight, but it can be turned by hand.

- A. Open all the velcro tapes on the Net #13. Straighten the tapes and go through support bar(#2) and post.
- B. Insert and slide the Connect bar without cap(#3) and Connect bar with cap(#4).
- C. Then attach the whole connect bar to Net #13 by inserting it into the leather sheath at the top corner of #13.
- D. Attach the whole connect bar to Support bar (#2)



STEP 2

STEP 3

- A. After securing the net to the basketball system, insert the metal stakes #7 into the ground.
- B. Tidy up the net and make surface smooth. Then tie up the velcro tapes.
- C. Fix the bottom velcro tapes to the post.

IMPORTANT

- Do not climb or jump on product..
- Disconnect the Net when not in use, especially during bad weather.