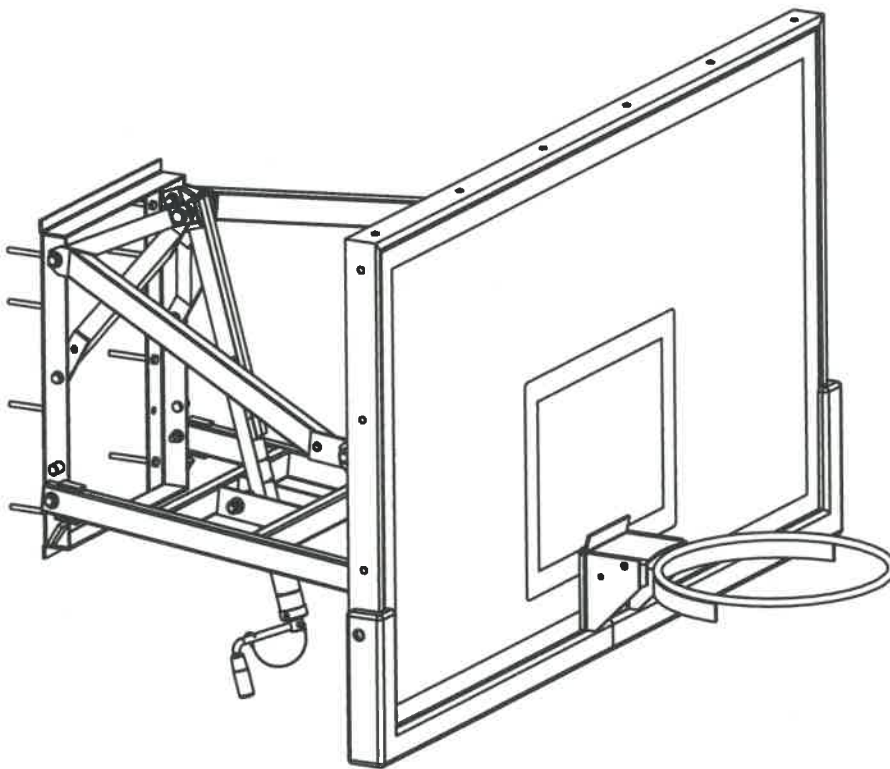




Wall Mount CV Series

*ADJUSTABLE HEIGHT
WALL MOUNT SYSTEM*



**WMCV54
WMCV60
WMCV72**

*Installation
& Owner's
Instructions*

The instructions, illustrations and specifications in this manual are based on the latest information available at the time of publication. Your basketball goal may have product improvements and options not yet contained in this manual. PROformance Hoops® reserves the right to make changes at any time without notice or obligation.

Failure to properly install this unit may result in property damage, serious injury or even death.

Prior to assembly, ensure the wall is structurally sound and capable of supporting the entire basketball goal system.

Additional hardware, supports, bracing or other structural changes may be needed to the mounting area for safe installation and use of this product.

The owner is responsible for ensuring the wall or structure the system is mounted to is structurally sound and capable of supporting the stress of the system. If needed, contact a professional engineer to evaluate your structure beforehand. Installation may require full access to the rear side of the structure.

Read this manual all the way through before starting to install your system. Then read each step completely before beginning installation. Ensure you understand each step fully and comply with all steps for a safe installation

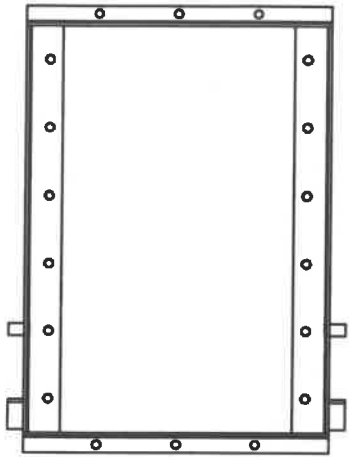
Safety Instructions

It is the responsibility of purchaser to ensure that all installers and players fully comply with the detailed instructions set forth in this product installation manual. Product assembly should be carried out exactly as instructed and owner supervision of use and installation is required to prevent risk of product malfunction or risk injury.

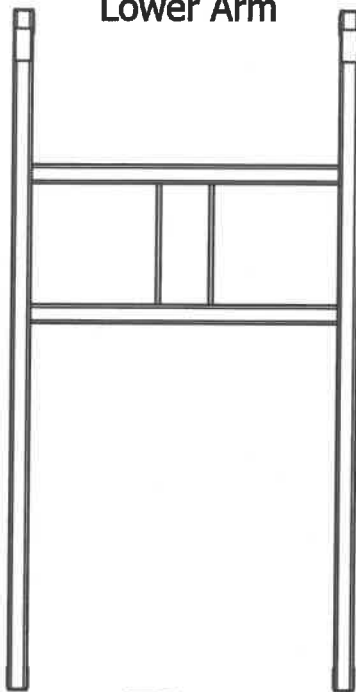
- All tools used to assemble this product should be used in compliance with manufacturer's guidelines.
- Installation of this product will require heavy lifting and bending. Any person that is not capable of such activity should not participate in the installation of this product.
 - If using a ladder during assembly, use extreme caution and refer to the warnings and cautions on the ladder.
- Due to the size and weight of this product, we recommend at least (3) competent adults are present.
- Make sure there are no overhead power lines within a 25-foot radius of the basketball system.
- Keep all organic materials away from parts and components to avoid corrosion.
- Never dunk or hang on your system.
- Never climb on any part of the basketball system as it was not intended for this activity.
- Never use the basketball system as a lift or to hoist anything.
- Players should wear protective mouth guard during play to avoid any kind of dental injury.
- Players should refrain from wearing any jewelry that could potentially get caught in the rim or net.
- Never allow children to adjust basketball system.
- Check the basketball system and all associated hardware, supports and bracing on a regular basis to ensure that there are no signs of deterioration or corrosion, loose hardware, or damaged parts. If you see any signs of damage, stop using immediately and perform maintenance or contact PROformance Hoops® for replacement.
- For maintenance repairs please contact a professional.
- During installation be sure the wall is clear of any type of utilities (wires, gas lines, water lines, etc.)
- Be sure you have safe access to the rear side of the wall to complete the installation.
- Failure to follow these safety instructions could result in product malfunction, serious injury, or even death.

PARTS

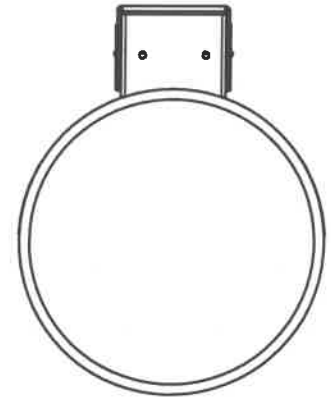
Wall Mount Frame



Lower Arm



**Flex Rim (Hoop)
(separate box)**



Lower Bracket (2)



Upper Bracket (2)



Upper Arm (2)



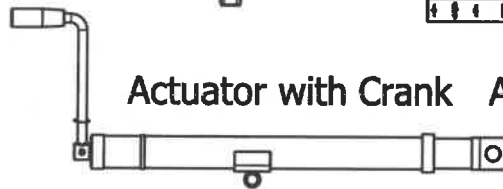
Indicator Strip



Height Sticker



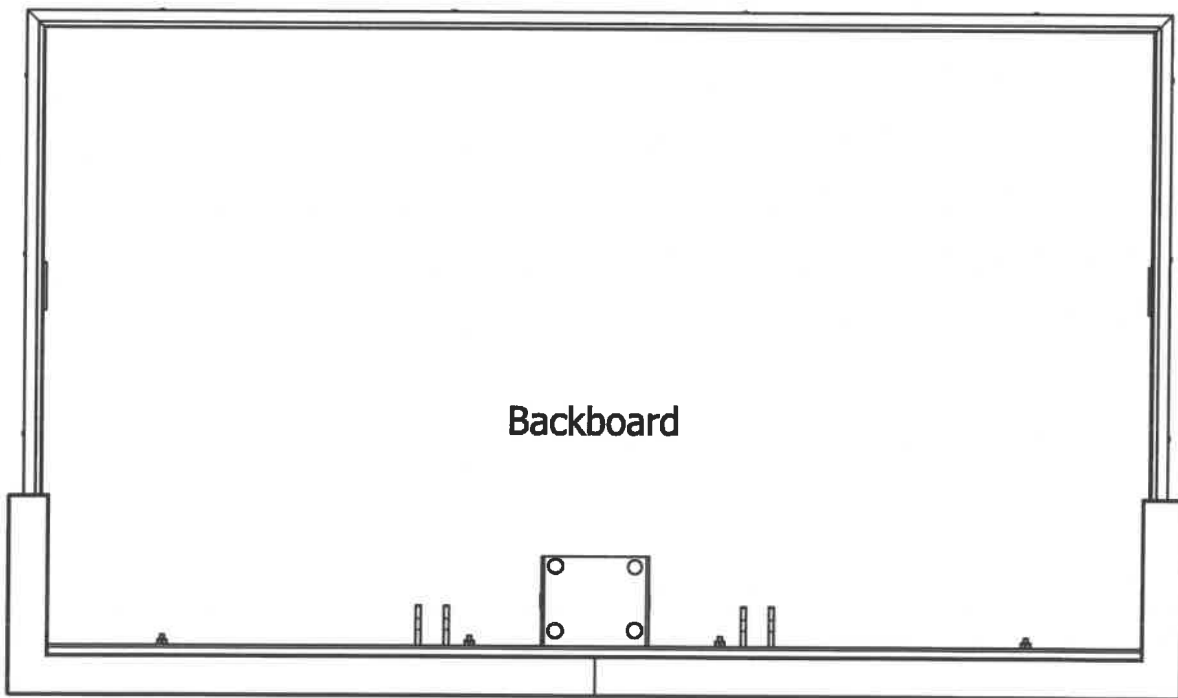
Actuator with Crank



Actuator Bushing



Backboard



HARDWARE



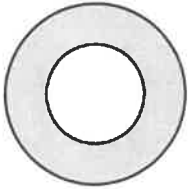
N1
Nylock Nut 12mm
QTY:10



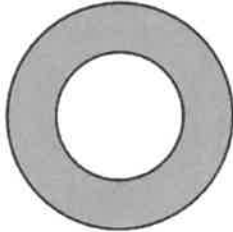
N2
Nylock Nut 16mm
QTY:2



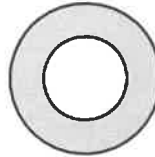
N6
Flange Nut 10mm
QTY:4 (Separate Box)



W1
Flat Washer M12 SS
QTY:20



W2
Flat Washer M16 SS
QTY:4



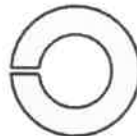
W6
Flat Washer 10mm
QTY:4 (Separate Box)



P1
Nylon Washer M12
QTY:18



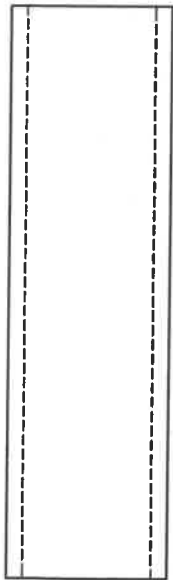
P2
Nylon Washer M16
QTY:2



W7
Lock Washer 10mm
QTY:4 (Separate Box)



B6
M10 x 55
Carriage Bolt
QTY:4 (Separate Box)



Actuator Bushing
QTY:1



B1
M12 X 35
Hex Bolt
QTY:4



B2
M12 x 45
Hex Bolt
QTY:2



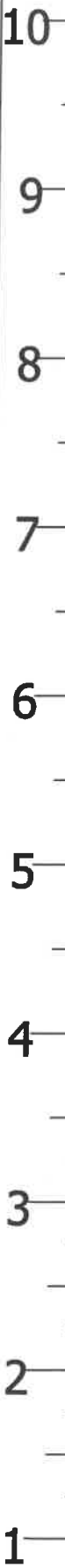
B3
M12 x 65
Hex Bolt
QTY:4



B4
M16 X 115
Hex Bolt
QTY:1



B5
M16 x 135
Hex Bolt
QTY:1

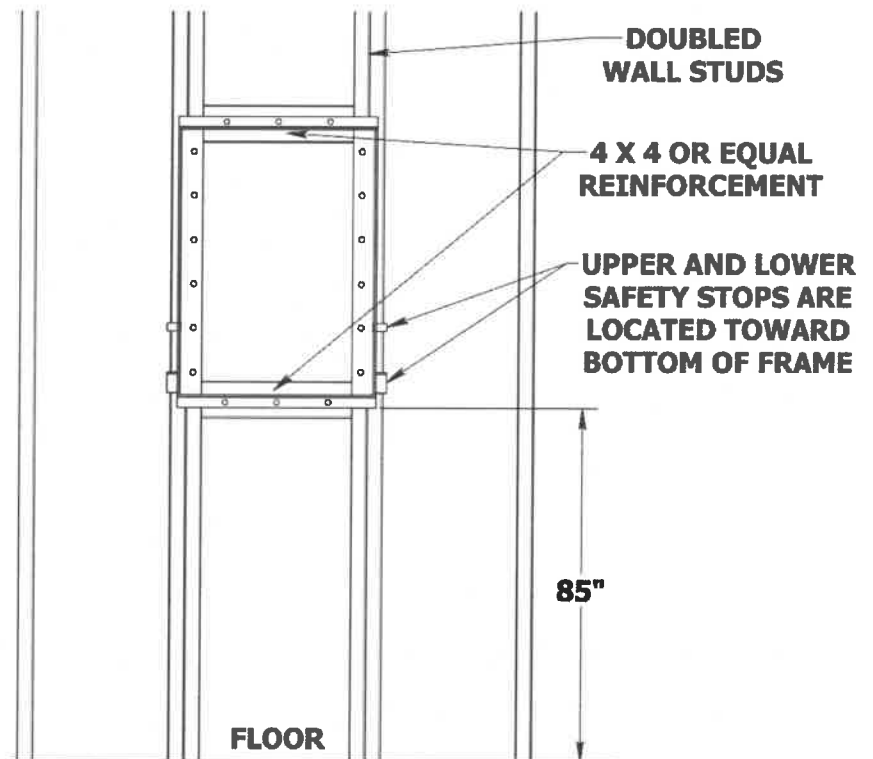


FRAME ATTACHMENT

A measure, level, drills and wrenches may be needed during assembly.

- This type of basketball goal can exert a large amount of force on the wall structure where it is mounted. It is very important that the wall structure is strong enough to withstand this force.
- First locate the wall studs to determine where the mounting frame will be installed.
- The basketball mounting frame is sized to take advantage of wall studs spaced at 16". It is very important to note that your stud spacing may be different. Even if the spacing is 16" it is recommended that extra bracing be added to the studs. The illustration below shows reinforcing a stud wall like that which is used for framing a door or window. Prior to installation ensure the blocking is prepared at least as well. After proper wall reinforcement is complete, it can be covered with appropriate paneling and paint.
- It is important to know that the hardware to mount the wall plate to the wall is not included. **It is recommended that the frame be fastened with bolts that go all the way through the reinforced wall.**
- The maximum adjustable height of the basketball rim is 35" above the bottom of the wall frame. To achieve a 10' rim height the bottom of the frame needs to be mounted 85" up from the floor.

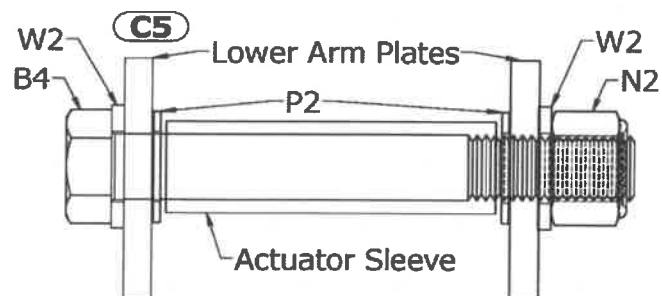
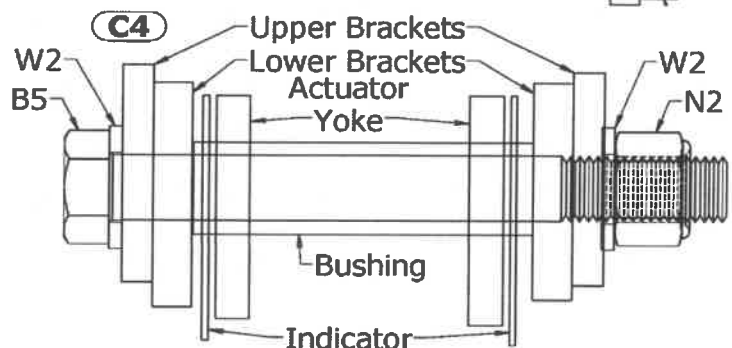
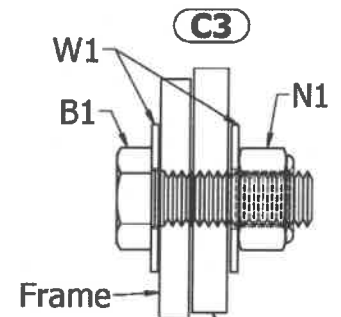
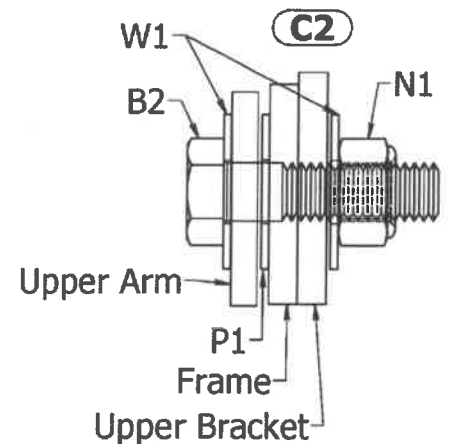
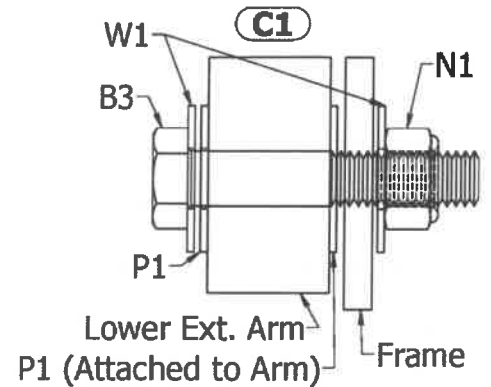
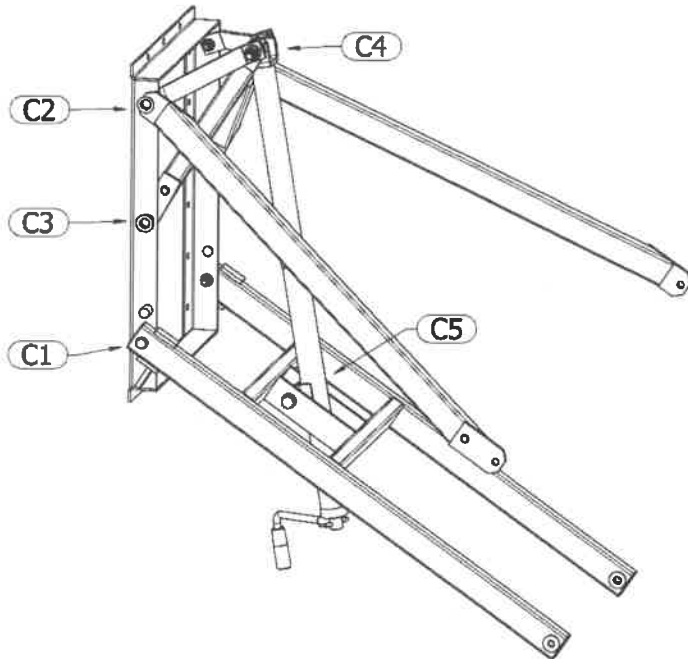
1. Using a level, mark vertical lines on the wall 16" apart that correspond to the reinforced wall studs and bracing.
2. Mark a horizontal line on the wall 85" up from the floor.
3. Position the wall frame with the bottom on the horizontal line and the mounting holes centered on the vertical lines.
4. Mark the mounting holes needed for attachment of frame.
5. Drill appropriate size holes as needed in the wall based upon type of wall fasteners being used.
6. Loosely attach frame to the wall using appropriate fasteners.
7. Level frame horizontally and vertically using a level and tighten fasteners appropriately.



IMPORTANT

- Bottom of frame should be 85" up from playing surface. This is needed to achieve full range of system height adjustability.
- Wall hanging location is the responsibility of the customer and/or installer.
- It is the responsibility of the customer and/or installer to determine how many of the frame's mounting holes must be used to safely secure the wall mount system for play.
- Fasteners to be determined and provided by the customer and/or installer.

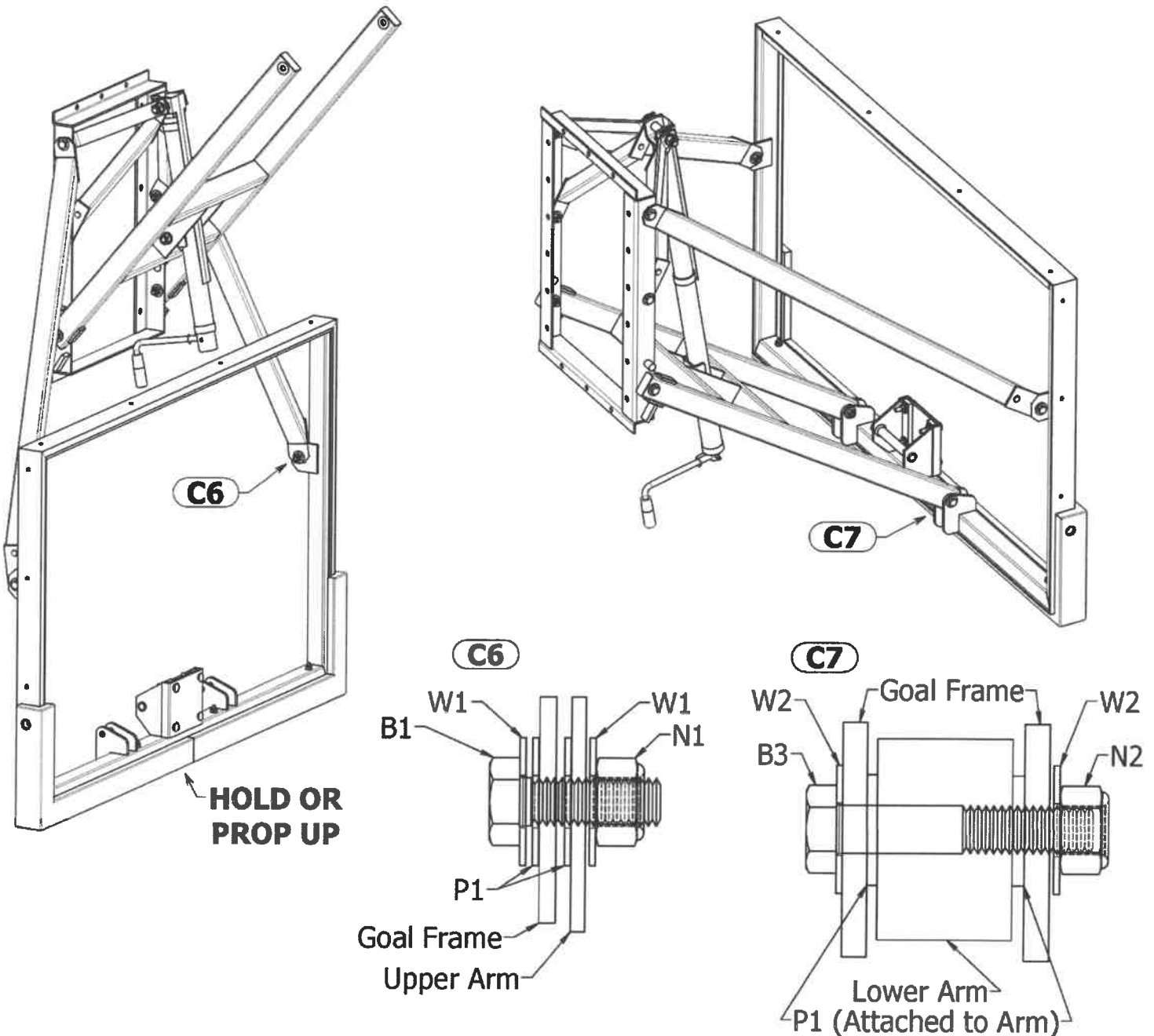
FRAME ASSEMBLY



- Connection C1:** Align the rear holes in the Lower Arm with the lower holes of the Wall Mount Frame. Attach each side using one B3, two W1, one P1 and one N1. Another plastic washer P1 should be attached to the inside of the arm. Allow movement between parts. Do not over-tighten.
- Connection C2:** Attach the upper extension arms and upper mounting brackets to the frame. Each connection uses one B2, two W1, one P1 and one N1. Allow movement between parts. Do not over-tighten.
- Connection C3:** Attach the lower mounting bracket to the frame. Each connection uses one B1, two W1 and one N1.
- Connection C4:** Insert the bushing through the actuator yoke and the indicator strip. Insert bolt B5 through a W2, an upper and lower bracket, the bushing with the indicator and actuator, the lower and upper brackets on the other side, then finish with a W2 and N2.
- Connection C5:** Attach lower mount of actuator assembly to the lower extension arm. This connection uses one B4, two W2, two P2 and one N2. Do not over-tighten.

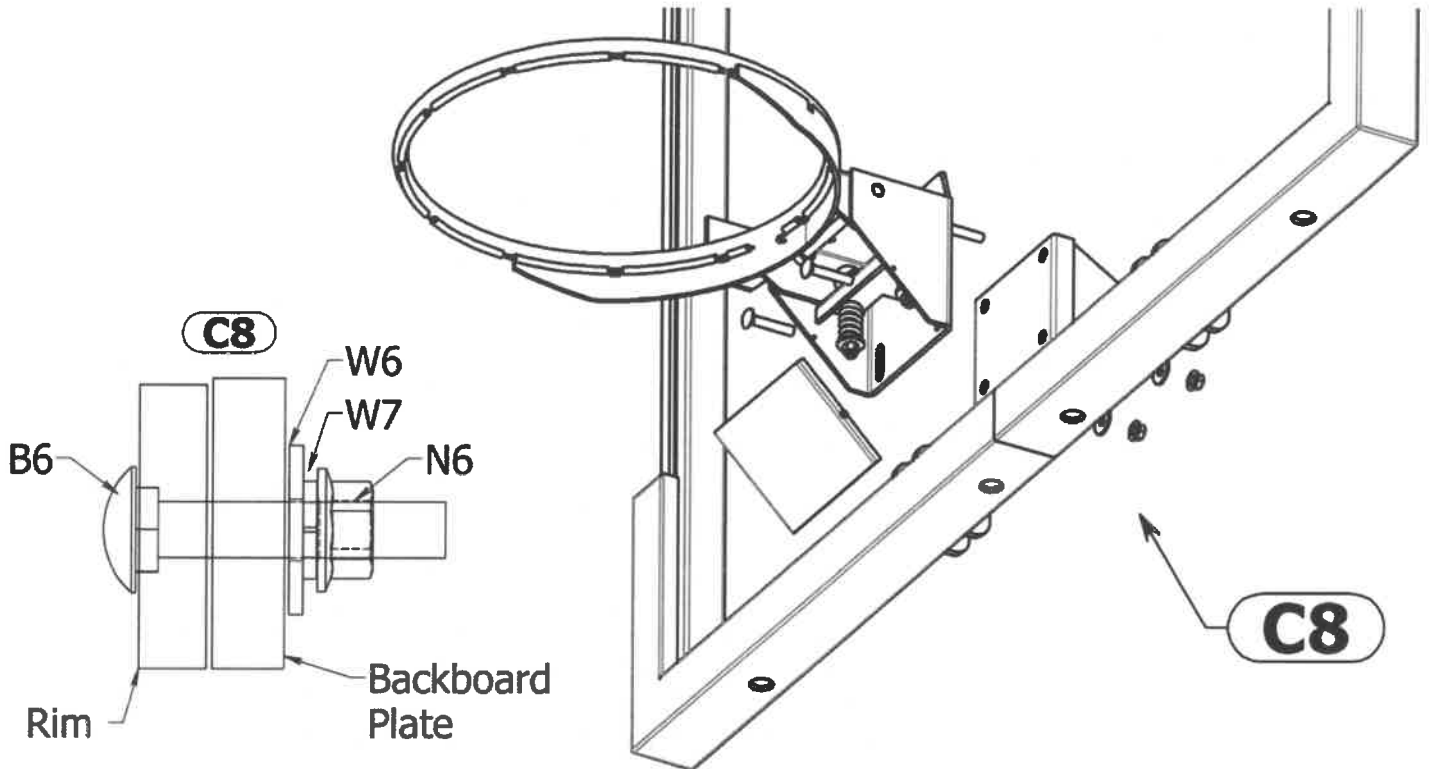
BACKBOARD ATTACHMENT

- Connection C6:** Using the actuator, crank the lower arm to a high position. Allow the upper arms to stay down. Carefully lift and support the backboard and align upper backboard holes with upper arm holes. Each connection uses one B1, two W1, two P1 and one N1. Allow movement between parts. Do not over-tighten.
- Connection C7:** Raise and support the backboard to a higher position. Using the actuator, crank the lower arm to a lower position, aligning lower backboard holes with the lower arm holes. Each connection uses one B3, two W1, two P1 (which should be already on the arm) and one N1. Do not over-tighten.



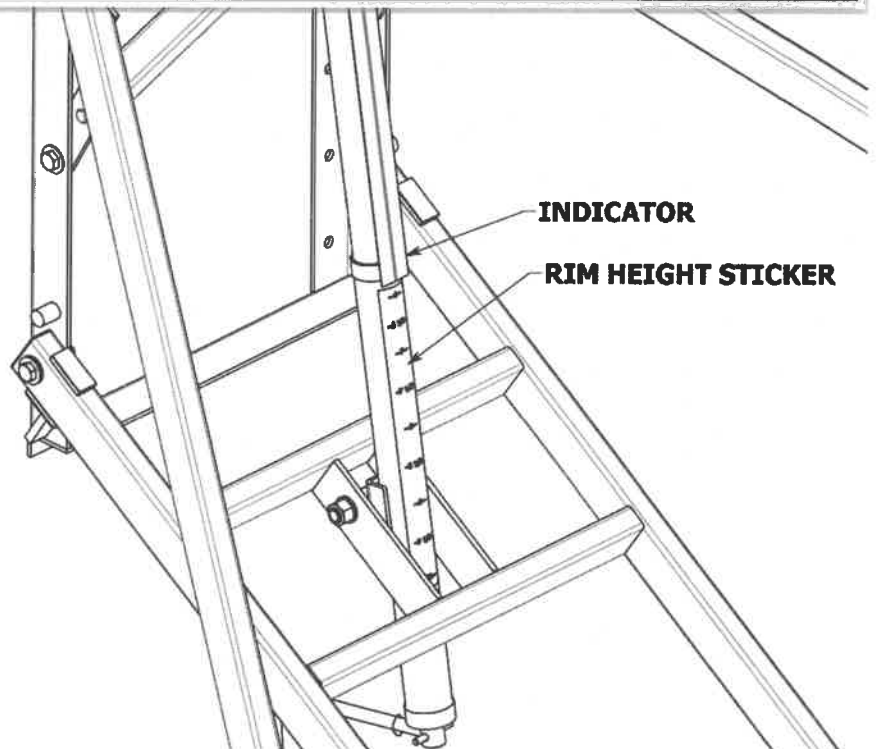
RIM (HOOP) ATTACHMENT

8. **Connection C8:** Remove the cover plate from the underside of the rim assembly. Put the rim against the backboard and align holes. Attach with four B6, four W6 four W7 and four N6, making sure the rim is straight and level. Tighten completely. Replace the cover plate.



RIM HEIGHT STICKER ATTACHMENT

- Raise the backboard assembly until the rim is 10 feet high above the floor.
- Make a mark on the actuator in line with the bottom edge of the indicator.
- Lower the backboard assembly all the way.
- Peel off and apply the rim height sticker to the actuator, lining up the 10' line on the mark previously made.



WARRANTIES

BUYER AGREES THAT PRODUCTS SOLD BY PROformance Hoops CARRY THE FOLLOWING WARRANTY

Subject to proper installation, and normal intended use, all structural components of **PROview Series***, **Force Series***, and **Wall Mount Basketball Systems** are warranted to the original owner to be free of defects in materials and workmanship for the duration of ownership by the original retail purchaser, subject to the limitations below. PROformance Hoops shall have the right to require the purchaser to deliver the allegedly defective products to PROformance Hoops for testing, repair, or replacement.

PROformance Hoops shall not be responsible for any expense associated with the replacement or removal of the product from its application for such delivery. Freight and Handling charges may apply to covered warranty parts. Modification of any product by the customer, unless approved by PROformance Hoops, will void all warranty. Where listed as "**LIMITED**", the warranties shall cover damage of failure that occurs during the course of **NORMAL** or **INTENDED USE** of the product. Normal or intended use shall be described as activity that is necessary for the participation in the sport for which the equipment is damaged. **NOT COVERED** is damaged caused by deliberate hanging, multiple player hanging, vandalism, non-basketball activities, or any other activity that could be regarded as abusive.

Padding Warranty: Multi-Purpose Backboard Edge Padding: one year limited; Indoor Backboard Edge Padding: five year limited (indoor only); Custom-Fit Pole Padding: one year limited; Wrap-Around Pole Padding: one year limited.

NOT COVERED BY THIS WARRANTY

- Use in non-residential applications.
- Any products subjected to abuse, negligence, improper installation, vandalism, acts of God, alteration of product or any other events beyond the control of PROformance Hoops.
- Paint or rusted parts.
- Deterioration of product due to time and wear.

Normal deterioration of products due to atmospheric conditions, weather, rust, wear and tear (including paint), or other causes that do not affect functional use are not covered by PROformance Hoops warranties. All warranties are valid only when product is used in the intended application, and when installed according to PROformance Hoops instructions. Warranty will be void if maintenance instructions in the Owner's Manual are not followed, including jack lubrication on a bi-yearly basis. If you did not receive an Owner's Manual, please contact PROformanceHoops.com and one will be sent to you.

WARRANTY CLAIMS: All returns must be arranged through the local dealer if available. Warranties do not cover dealer service charges, labor charges, freight or travel expense associated with replacement, repair, or removal of warranty item. A warranty claim form must be completed, and photos submitted for any item you wish to claim under warranty. If the purchase was not made through a dealer, this form is available by email. In response to your claim, you will receive an order confirmation as well as a notice stating whether PROformance Hoops needs your warranty item returned. PROformance Hoops will notify you if we determine that the item cannot be claimed under warranty. **PROformance Hoops is not responsible for any charges for labor to install or repair defective product prior authorization. PROformance Hoops will determine the most economical method to either repair or replace product before any work is to commence.**

TO THE MAXIMUM EXTENT PERMITTED BY LAW, THIS WARRANTY AND THE REMEDIES SET FORTH HEREIN ARE EXCLUSIVE AND EXPRESSLY IN LIEU OF ALL OTHER WARRANTIES, EXPRESSED OR IMPLIED, INCLUDING WARRANTIES OR MERCHANTABILITY OR FITNESS FOR A PARTICULAR PURPOSE. IF PROFORMANCE HOOPS CANNOT DISCLAIM OR EXCLUDE IMPLIED WARRANTIES UNDER APPLICABLE LAW, THEN TO THE EXTENT POSSIBLE ANY CLAIMS UNDER SUCH IMPLIED WARRANTIES SHALL EXPIRE OR EXPIRATION OR THE APPLICABLE WARRANTY PERIOD. SOME STATES DO NOT ALLOW LIMITATIONS ON HOW LONG AN IMPLIED WARRANTY LASTS, SO THE ABOVE LIMITATION MAY NOT APPLY TO YOU. PROFORMANCE HOOPS DOES NOT ASSUME OR AUTHORIZE ANY PERSON TO ASSUME FOR US, ANY OTHER LIABILITY IN CONNECTION WITH THE SALE OF OUR PRODUCTS.

TO THE MAXIMUM EXTENT PERMITTED BY LAW, PROFORMANCE HOOPS ASSUMES NO RESPONSIBILITY FOR INCIDENTAL OR CONSEQUENTIAL DAMAGES, WHICH MAY ARISE FROM THE PURCHASERS OR USE OF OUR EQUIPMENT. SOME STATES DO NOT ALLOW THE EXCLUSION OR LIMITATIONS OF INCIDENTAL OR CONSEQUENTIAL DAMAGE, SO THE ABOVE LIMITATION OR EXCLUSION MAY NOT APPLY TO YOU.

IF ANY PROVISION OF THIS WARRANTY IS INVALID, VOID OR UNENFORCEABLE IN ANY INSTANCE OR RESPECT, THE UNENFORCEABLE PROVISION WILL BE SEVERED AND REFORMED TO EFFECT THE INTENT OF THIS LIMITED WARRANTY TO THE MAXIMUM EXTENT POSSIBLE, AND THE REMAINING PROVISIONS SHALL CONTINUE IN FULL FORCE AND EFFECT AND SHALL BE ENFORCED TO THE FULL EXTENT PERMITTED BY LAW.

This warranty gives you specific legal rights, and you may also have other rights, which vary from state to state

091422