



PROVIEW SERIES
ADJUSTABLE HEIGHT
GOAL SYSTEM



554PV

*Installation
& Owner's
Instructions*

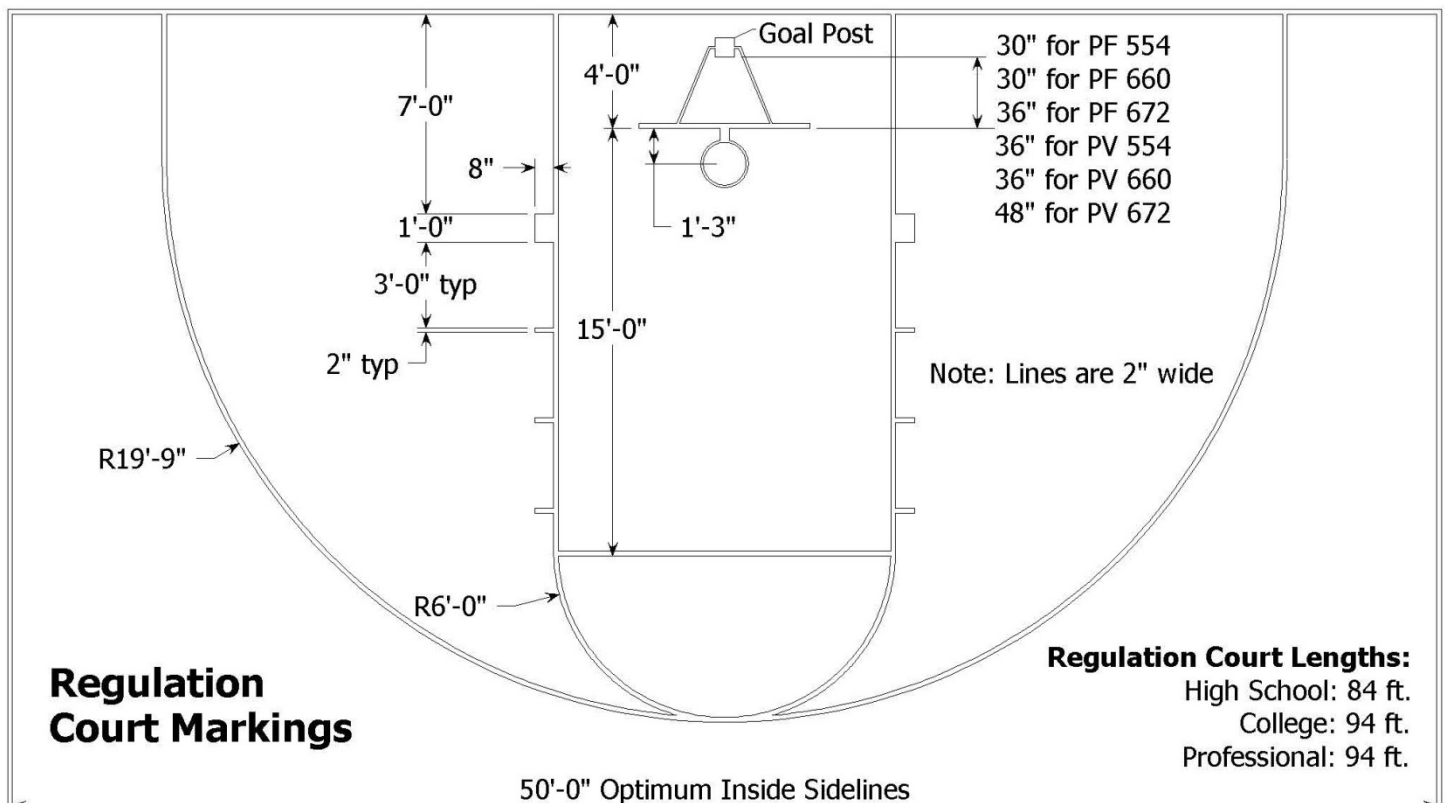
THANK YOU!

Thank you and congratulations for purchasing a Proformance Hoops Goal - the finest basketball goal system on the market today! You will discover that Proformance Hoops is unsurpassed in product innovation, quality and integrity in the basketball equipment industry. We are focused on designing and engineering products that meet and exceed the expectations of demanding players and withstand today's toughest playing environments.

LAY OUT PLAYING COURT

Consider the following to determine where to install the basketball goal:

- Whether the goal is to be installed into a landscaped area next to the playing surface or into a hard-surfaced area.
- Backboard size and its extension distance from the structures.
- If court markings are to be used.
- Amount of playing surface desired beneath the goal.
- Other functions of playing surface (such as driveway, tennis court, etc.)
- There must be at least 18" clearance behind the back of the Goal Post to allow room to operate the goal height adjusting crank.
- When the rim is set to the regulation height of 10 ft. the distance from the face of the backboard to the front of the Goal Post is, depending upon the PROforce (PF) or PROview (PV) model, shown in the figure below.



SAFETY INSTRUCTIONS

Failure to follow these safety instructions may result in serious injury or death and/or property damage.

- Do not install or use this product unless the instructions within this manual have been carefully read and understood.
- Consult Proformance Hoops if you do not understand the instructions in this manual or need additional information
- Know what's below ground. "Call before you dig" the hole for the ground anchor. For the US the number is 811.
- If using a ladder during assembly, use extreme caution. Two or three people are recommended for safe installation and assembly.
- Installation and assembly of this product will require lifting and bending that may result in injury to anyone not accustomed to this type of activity.
- Ensure there are no overhead power lines within a 20 ft. (7m) radius of the goal location.
- Climate, corrosion or misuse could result in system failure.
- The Safety Rod stops the Main Extension Arm at a rim height of 7 ft (2.13m). Attempting to adjust further down will damage the Arm. If the Safety Rod is removed, adjustment of the rim below a height of 6 ft. (1.83m) will cause internal damage to the mechanism.
- DO NOT HANG on the rim or any part of the goal system. This includes the backboard, support braces and net.
- During play, especially when performing dunking activities, players should keep their faces away from the backboard, rim and net. Serious injury could result if teeth or face come in contact with the backboard, rim or net. Do not wear jewelry or other loose objects that could become entangled with the net.
- Twice yearly, check the goal system for loose hardware, excessive wear and signs of corrosion. Repair the system before use.
- Never play on damaged equipment.

GOAL ASSEMBLY

IMPORTANT: Concrete must cure a minimum of **72 hours** before installing goal.

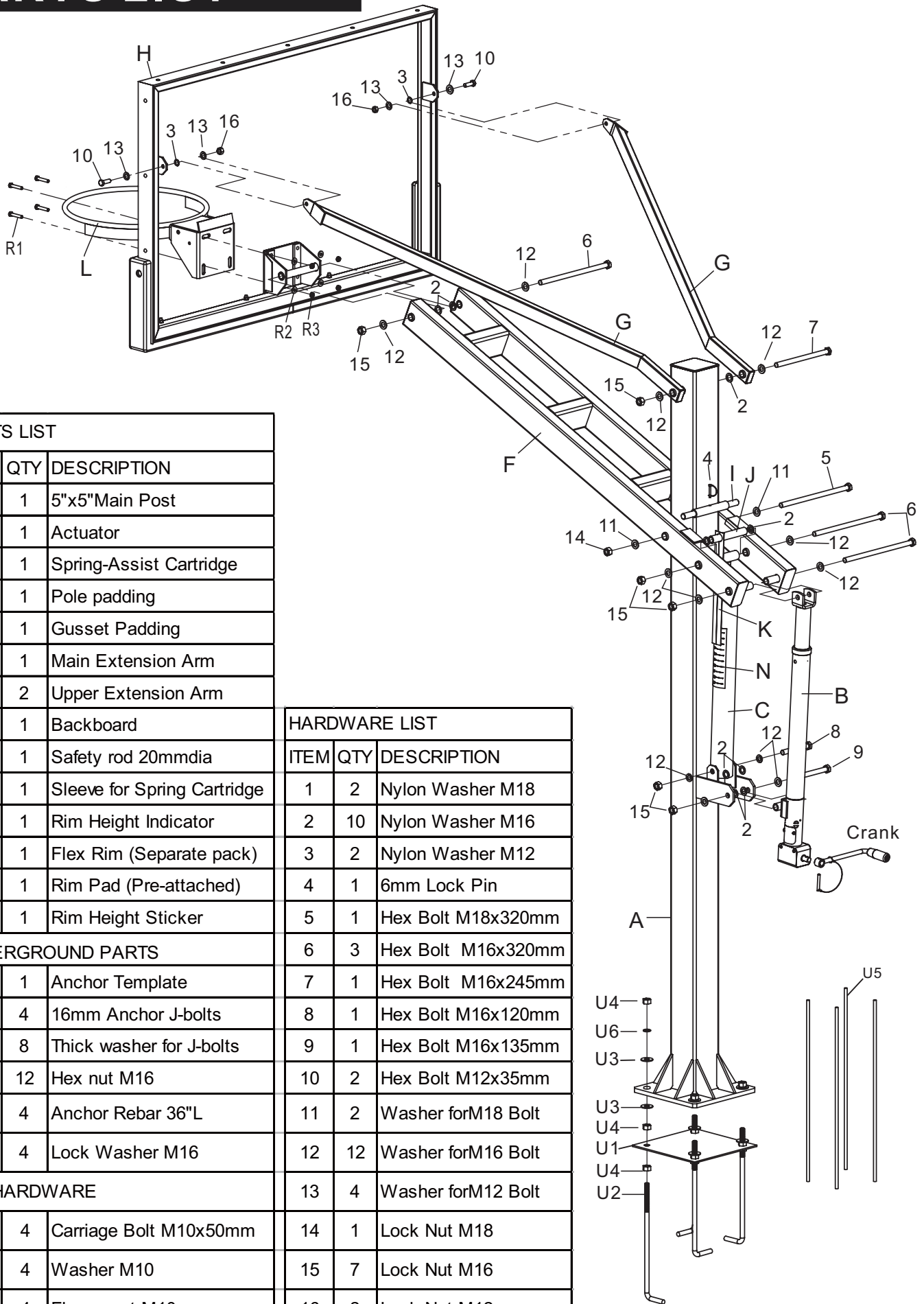
IMPORTANT: Safe assembly of the goal requires two to three people in good physical condition and capable of lifting 80-100 lbs (36-45 kg) each.

IMPORTANT: Locate and familiarize yourself with all the parts of the goal before beginning assembly.

REQUIRED TOOLS AND MATERIALS:

Level	Sockets or wrenches:
Rubber Mallet	15mm (9/16")
12' Tape Measure	19mm (3/4")
Phillips Screwdriver	24mm (15/16")
Ratchet	27mm (1-1/16")

PARTS LIST



PARTS LIST

ITEM	QTY	DESCRIPTION
A	1	5"x5"Main Post
B	1	Actuator
C	1	Spring-Assist Cartridge
D	1	Pole padding
E	1	Gusset Padding
F	1	Main Extension Arm
G	2	Upper Extension Arm
H	1	Backboard
I	1	Safety rod 20mmdia
J	1	Sleeve for Spring Cartridge
K	1	Rim Height Indicator
L	1	Flex Rim (Separate pack)
M	1	Rim Pad (Pre-attached)
N	1	Rim Height Sticker

HARDWARE LIST

ITEM	QTY	DESCRIPTION
1	2	Nylon Washer M18
2	10	Nylon Washer M16
3	2	Nylon Washer M12
4	1	6mm Lock Pin
5	1	Hex Bolt M18x320mm
6	3	Hex Bolt M16x320mm
7	1	Hex Bolt M16x245mm
8	1	Hex Bolt M16x120mm
9	1	Hex Bolt M16x135mm
10	2	Hex Bolt M12x35mm
11	2	Washer forM18 Bolt
12	12	Washer forM16 Bolt
13	4	Washer forM12 Bolt
14	1	Lock Nut M18
15	7	Lock Nut M16
16	2	Lock Nut M12

UNDERGROUND PARTS

U1	1	Anchor Template
U2	4	16mm Anchor J-bolts
U3	8	Thick washer for J-bolts
U4	12	Hex nut M16
U5	4	Anchor Rebar 36"L
U6	4	Lock Washer M16

RIM HARDWARE

R1	4	Carriage Bolt M10x50mm
R2	4	Washer M10
R3	4	Flange nut M10



WARNING



BECAUSE OF THE SIZE AND WEIGHT OF THE SYSTEM, A MINIMUM OF THREE ADULTS ARE REQUIRED FOR THE FOLLOWING STEPS

STEP 1

- A. Slide a 18mm Thick Washer (U3) over each of the J-Bolts (U2) as shown in FIGURE 1A.
- B. Remove the Padding from Main Post (A). Place the Main Post (A) over the J-Bolts. Slide a 16mm Thick Washer (U3), a Lock washer 16mm (U6) and thread a 16mm Hex Nut (U4) to each J-bolt. Tighten the Nuts only a few turns onto the J-Bolts as shown in FIGURE 1B.
- C. If the Main Post (A) is not exactly vertical, adjust the 16mm J-Bolt Hex Nuts (U4) located under the Post base. Tighten all of the Hex Nuts (U4) Above Post base when Main Post (A) is vertical.

NOTE: Face the Main Post (A) with Actuator Bracket facing away from playing court (as shown in FIGURE 1C).

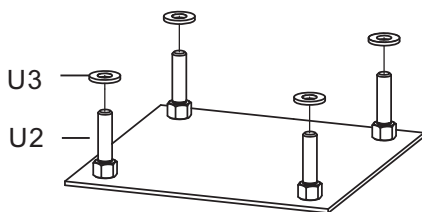


FIGURE 1A

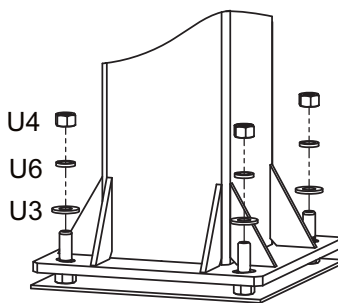


FIGURE 1B

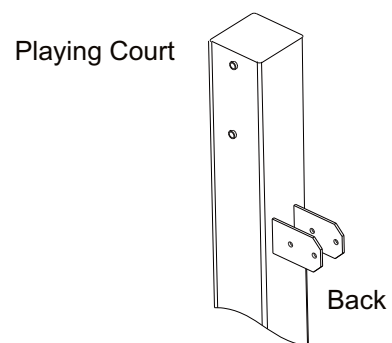


FIGURE 1C

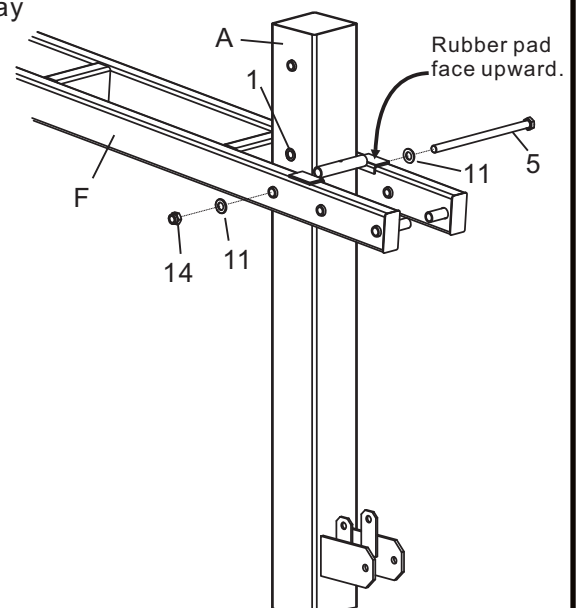
STEP 2

- A. Slide the Main Extension Arm (F) over the top of the Main Post (A) and attach to the lower pivot tube welded on front side of Pole (A) with one Hex bolt M18x320mm (#5), two Flat washer M18 (#11), two Nylon washers M18 (#1), and one Lock nut M18 (#14).

Do not over tighten this bolt and nut.

Note: make sure the Nylon washers locate between Main Extension Arm (F) and Main Post (A).

Nylon washer #1 may be factory installed

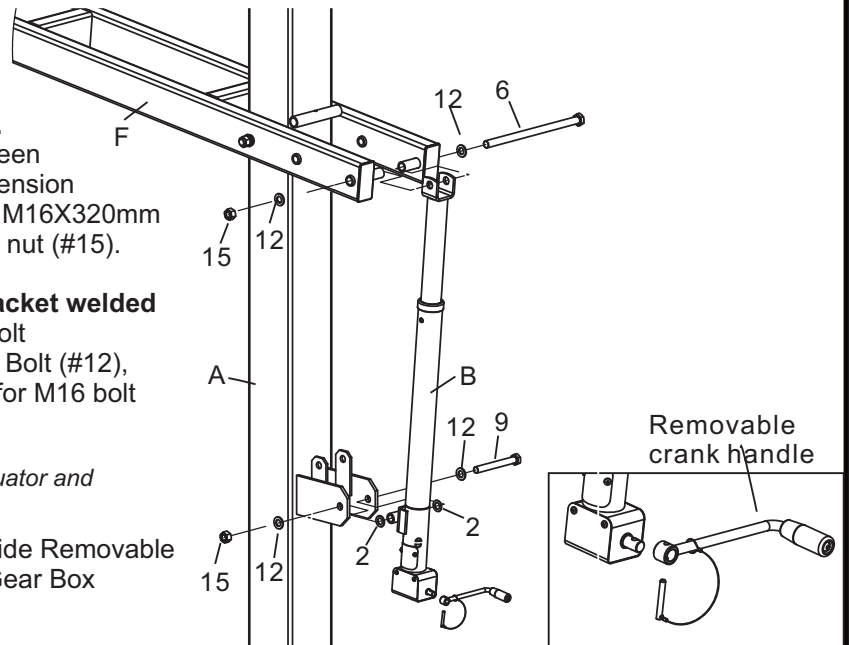


STEP 3

- A. Connect Actuator to Main Extension arm.** Place the upper bracket of Actuator(B) between the last set of welded tubes on the Main Extension Arm (F), attach the two parts using Hex bolt M16X320mm (#6), two Flat Washers M16 (#12), one Lock nut (#15).
- B. Connect Actuator(B) to the mounting bracket welded in the middle of Post (A),** using one Hex Bolt M16x135mm (#9), two flat Washers for M16 Bolt (#12), two Nylon Washers (#2), and one Lock Nut for M16 bolt (#15).

Note: make sure Nylon washers go between Actuator and Mounting Bracket.

- C. Attached Crank handle to the actuator.** Slide Removable Crank handle onto the shaft sticking out of Gear Box (Actuator), lock it in place with attached pin.



STEP 4

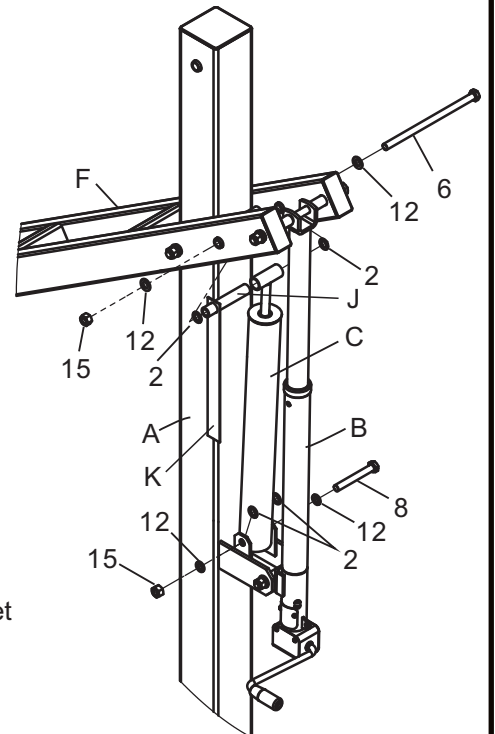
- A. Slide Steel Sleeve (J) thru the tube welded at the top end of Spring-Assist Cartridge (C). Slide the Rim Height Indicator (K) over Steel sleeve, leave it beside the Spring-Assist Cartridge (C). Place the top of Spring-Assist between Main Extension (F), align the Steel Sleeve (J) with the second set of welded tubes on the Main Extension Arm (F), slide one Washer M16 (#12) over one Hex Bolt M16x320mm (#6), and slide this Bolt all the way thru Main Extension Arm (F), one Nylon washer M16 (#2), Steel Sleeve (J), another Nylon washer (#2), and the other side of Main Extension Arm (F). Secure it with one Flat washer M16 (#12), one lock nut M16 (#15). Do not over tighten this bolt because this is the pivot point. Make sure the Plastic Rim Height Indicator (K) hang freely along side of Spring-Assist Cartridge.**

Note: Nylon washer locates between Steel sleeves (J) and Main Extension arm (F).

- B. Attach the bottom of Spring-assist Cartridges (C) to the Main pole Bracket** by using a Hex Bolt M16x120mm (#8), two Flat Washers M16 (#12), two Nylon Washer M16 (#2) and one Hex Nut M16 (#15).

Note: Nylon washer goes between Pole bracket and Cartridge (C).

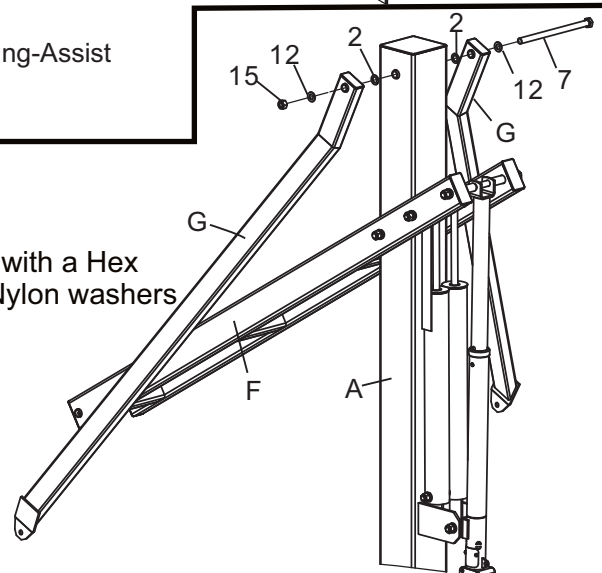
- C. Remove and discard the Steel spreader bracket from the Spring-Assist Cartridges (C).**



STEP 5

- A. Attach the 2 Upper Extension Arms(G) to Main Post (A) with a Hex Bolt M16x245mm (#7), two Flat Washers M16(#12), 2 Nylon washers (#2), one Lock Nut M16 (#15).**

Do not tighten at this time.



STEP 6

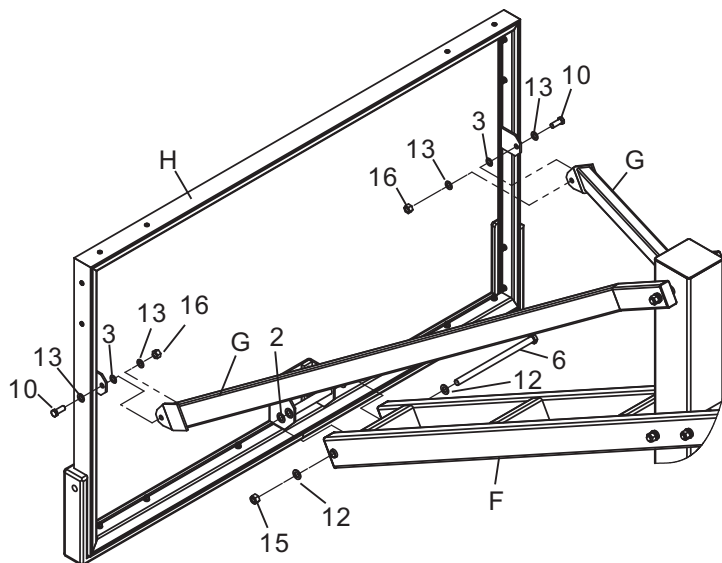
Crank the Main extension arm as low as possible.

- A. **Attach the Backboard to Main Extension Arm (F)** by using a Hex Bolt m16x320mm (#6), two M16 Flat Washers(#12), two Nylon washers (#2) and one Lock Nut M16 (#15).

Note: Nylon washers go between Main extension arm Bracket (F) and Backboard mounting bracket.

- B. **Connect Upper Extension Arms (G) to Backboard (H)**, using 2 Hex bolts M12x35mm (#10), 4 Flat Washers M12 (#13), 2 Nylon washers M12 (#3) and 2 Lock nuts M12 (#16).

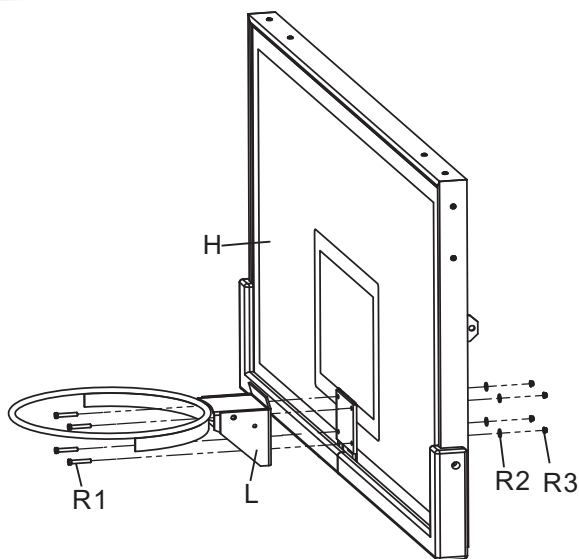
Note: Put Nylon washers between backboard plate and Upper extension connecting plate.



STEP 7

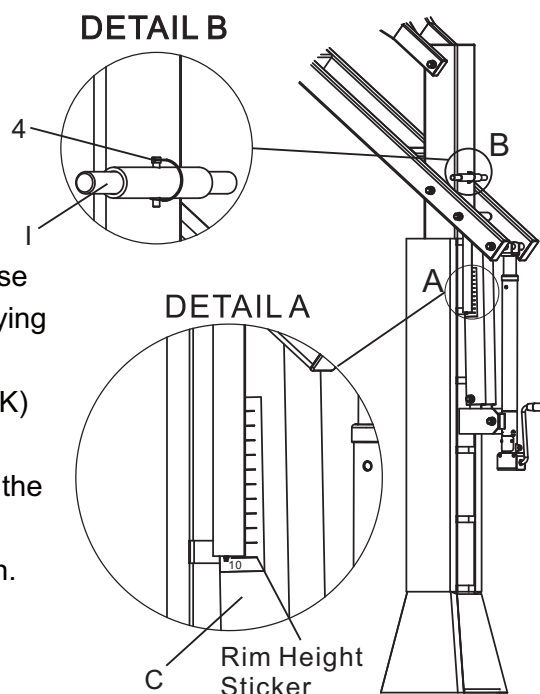
- A. Remove the screws on Rim spring box cover, open the Spring box.
- B. Mount the rim to the Mounting bracket on Backboard(H) using the hardware supplied in rim box.
- C. Re-attach Spring box cover to the Rim with removed screws.

NOTE: Use a level to make sure rim is level side to side before tightening nuts.



STEP 8

- A. After everything is square, make sure all nuts on the system have been tightened.
NOTE: But do not over tighten the Nuts, make sure the unit can be adjusted up and down.
- B. To apply the Rim Height Sticker(In the manual pack), first use a tape measure to crank rim up to exactly 10' from the playing surface. Use a pencil to make a mark on the Spring-assist Cartridge(C) where the bottom of the Rim Height Indicator(K) stops. Then, peel and apply Rim Height Sticker to outside of Spring-assist Cartridge(C) lining up the pencil mark with the 10' mark on the Rim Height Sticker. See detail A.
- C. Attach Post Pad and Gusset Pad to Main Post(A) as shown.
- D. Slide Safety Rod (I) thru the tube welded on the backside of Main Post (A), align the holes each other and secure it with one Lock Pin 6mm (#4). See detail B.



WARRANTIES

BUYER AGREES THAT ALL PRODUCTS SOLD BY PROFORMANCE HOOPS CARRY THE FOLLOWING WARRANTY

Subject to proper installation, and normal intended use, all structural components of **ProView Series***, **Pro Series***, **Force Series***, and **Wall Mount Basketball Systems** are warranted to the original owner to be free of defects in materials and workmanship for the duration of ownership by the original retail purchaser, subject to the limitations below. The Basketball Systems will be covered by this warranty for a period of five years. Proformance Hoops shall have the right to require the purchaser to deliver the allegedly defective products to Proformance Hoops for testing, repair, or replacement. Proformance Hoops shall not be responsible for any expense associated with the replacement or removal of the product from its application for such delivery. Freight and Handling charges may apply to covered warranty parts. Modification of any product by the customer, unless approved by Proformance Hoops, will void all warranty. Where listed as "**LIMITED**", the warranties shall cover damage of failure that occurs during the course of **NORMAL** or **INTENDED USE** of the product. Normal or intended use shall be described as activity that is necessary for the participation in the sport for which the equipment is damaged. **NOT COVERED** is damaged caused by deliberate hanging, multiple player hanging, vandalism, non-basketball activities, or any other activity that could be regarded as abusive.

Padding Warranty: Multi-Purpose Backboard Edge Padding: one year limited; Indoor Backboard Edge Padding: five year limited (indoor only); Custom-Fit Pole Padding: one year limited; Wrap-Around Pole Padding: one year limited.

NOT COVERED BY THIS WARRANTY

- Use in non-residential applications of Glass backboards.
- Use in non-residential applications of Tradition complete systems.
- Any products subjected to abuse, negligence, improper installation, vandalism, acts of God, alteration of product or any other events beyond the control of Proformance Hoops.
- Paint or rusted parts.
- Deterioration of product due to time and wear.

Normal deterioration of products due to atmospheric conditions, weather, rust, wear and tear (including paint), or other causes that do not affect functional use are not covered by Proformance Hoops warranties. All warranties are valid only when product is used in the intended application, and when installed according to Proformance Hoops instructions. Warranty will be void if maintenance instructions in the Owner's Manual are not followed, including jack lubrication on a bi-yearly basis. If you did not receive an Owner's Manual, please contact ProformanceHoops.com and one will be sent to you.

WARRANTY CLAIMS: All returns must be arranged through the local dealer if available. Warranties do not cover dealer service charges, labor charges, freight or travel expense associated with replacement, repair, or removal of warranty item. A warranty claim form must be completed, and photos submitted for any item you wish to claim under warranty. If the purchase was not made through a dealer, this form is available by email. In response to your claim, you will receive an order confirmation as well as a notice stating whether Proformance Hoops needs your warranty item returned. Proformance Hoops will notify you if we determine that the item cannot be claimed under warranty. **Proformance Hoops is not responsible for any charges for labor to install or repair defective product prior authorization. Proformance Hoops will determine the most economical method to either repair or replace product before any work is to commence.**

TO THE MAXIMUM EXTENT PERMITTED BY LAW, THIS WARRANTY AND THE REMEDIES SET FORTH HEREIN ARE EXCLUSIVE AND EXPRESSLY IN LIEU OF ALL OTHER WARRANTIES, EXPRESSED OR IMPLIED, INCLUDING WARRANTIES OR MERCHANTABILITY OR FITNESS FOR A PARTICULAR PURPOSE. IF PROFORMANCE HOOPS CANNOT DISCLAIM OR EXCLUDE IMPLIED WARRANTIES UNDER APPLICABLE LAW, THEN TO THE EXTENT POSSIBLE ANY CLAIMS UNDER SUCH IMPLIED WARRANTIES SHALL EXPIRE OR EXPIRATION OR THE APPLICABLE WARRANTY PERIOD. SOME STATES DO NOT ALLOW LIMITATIONS ON HOW LONG AN IMPLIED WARRANTY LASTS, SO THE ABOVE LIMITATION MAY NOT APPLY TO YOU. PROFORMANCE HOOPS DOES NOT ASSUME OR AUTHORIZE ANY PERSON TO ASSUME FOR US, ANY OTHER LIABILITY IN CONNECTION WITH THE SALE OF OUR PRODUCTS.

TO THE MAXIMUM EXTENT PERMITTED BY LAW, PROFORMANCE HOOPS ASSUMES NO RESPONSIBILITY FOR INCIDENTAL OR CONSEQUENTIAL DAMAGES, WHICH MAY ARISE FROM THE PURCHASERS OR USE OF OUR EQUIPMENT. SOME STATES DO NOT ALLOW THE EXCLUSION OR LIMITATIONS OF INCIDENTAL OR CONSEQUENTIAL DAMAGE, SO THE ABOVE LIMITATION OR EXCLUSION MAY NOT APPLY TO YOU.

IF ANY PROVISION OF THIS WARRANTY IS INVALID, VOID OR UNENFORCEABLE IN ANY INSTANCE OR RESPECT, THE UNENFORCEABLE PROVISION WILL BE SEVERED AND REFORMED TO EFFECT THE INTENT OF THIS LIMITED WARRANTY TO THE MAXIMUM EXTENT POSSIBLE, AND THE REMAINING PROVISIONS SHALL CONTINUE IN FULL FORCE AND EFFECT AND SHALL BE ENFORCED TO THE FULL EXTENT PERMITTED BY LAW.

This warranty gives you specific legal rights, and you may also have other rights, which vary from state to state