

PROview® 672 Tempered Glass Backboard

PV-672

REV: 02/17/2026

PROformance Hoops
11877 Douglas Road
Suite 102264
Johns Creek, GA 30005
www.proformancehoops.com
1-888-353-4667

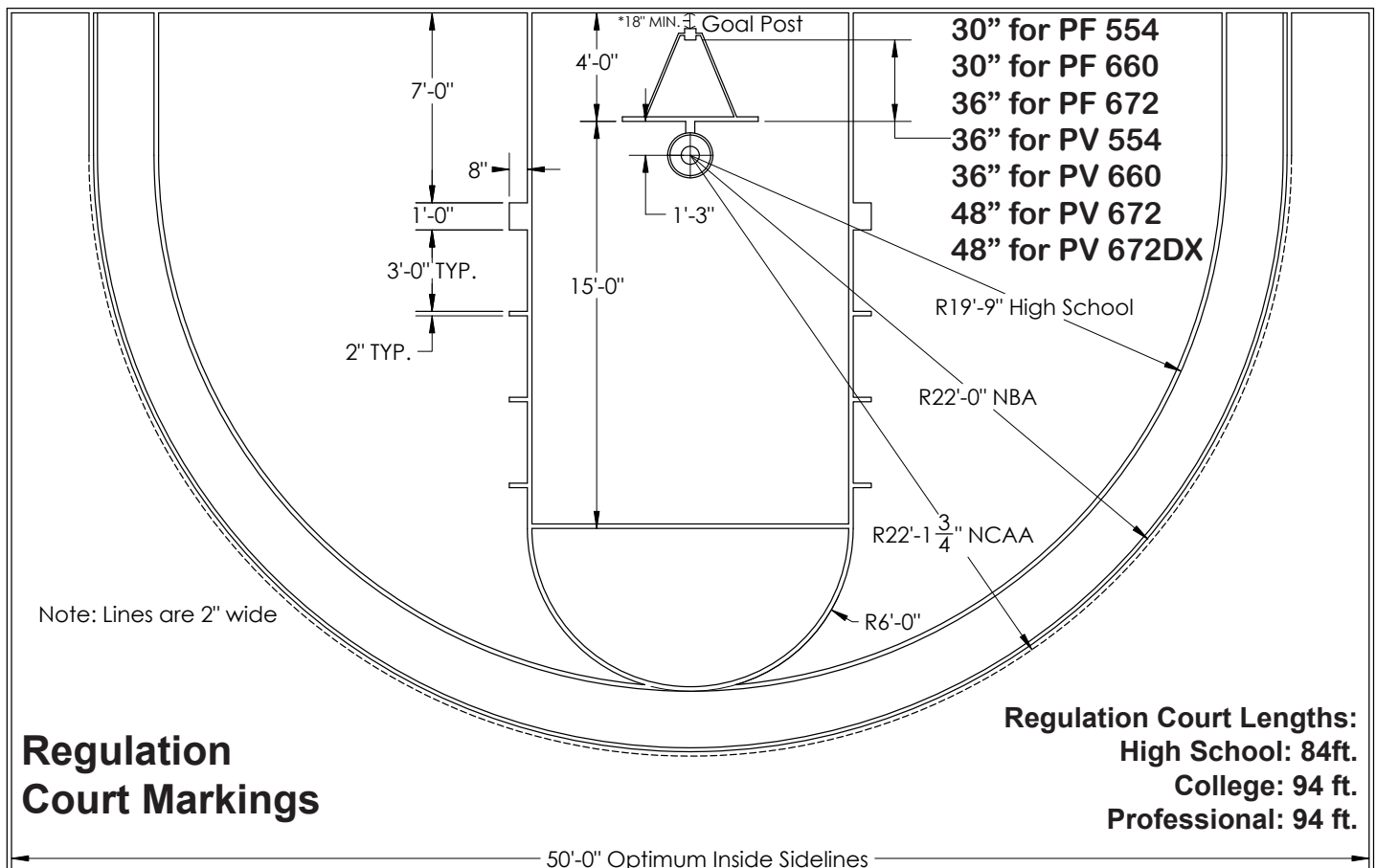
THANK YOU!

Thank you and congratulations for purchasing a PROformance Hoops goal - the finest basketball goal system on the market today! You will discover that PROformance Hoops is unsurpassed in product innovation, quality and integrity in the basketball equipment industry. We are focused on designing and engineering products that meet and exceed the expectations of demanding players and withstand today's toughest playing environments.

LAY OUT THE PLAYING COURT

Consider the following to determine where to install the basketball goal:

- Whether the goal is to be installed into a landscaped area next to the playing surface or into a hard-surfaced area.
- Backboard size and its extension distance from the structures.
- If court markings are to be used.
- Amount of playing surface desired beneath the goal.
- Other functions of playing surface (such as driveway, tennis court, etc.)
- There must be at least 18" clearance behind the back of the Goal Post to allow room to operate the goal height adjusting crank.
- When the rim is set to the regulation height of 10 ft. the distance from the face of the backboard to the front of the Goal Post is, depending upon the PROforce (PF), PROview (PV) model, shown in the figure below.



SAFETY INSTRUCTIONS

Failure to follow these safety instructions may result in serious injury or death and/or property damage.

- Do not install or use this product unless the instructions within this manual have been carefully read and understood.
- Consult **PRO**formance Hoops if you do not understand the instructions in this manual or need additional information.
- Know what's below ground. "Call before you dig" the hole for the ground anchor. For the US the number is 811.
- If using a ladder during assembly, use extreme caution. Two or three people are recommended for safe installation and assembly.
- Installation and assembly of this product will require lifting and bending that may result in injury to anyone not accustomed to this type of activity.
- Ensure there are no overhead power lines within a 20 ft. (7m) radius of the goal location.
- Climate, corrosion or misuse could result in system failure.
- The Safety Rod stops the Main Extension Arm at a rim height of 7ft (2.13m). Attempting to adjust further down will damage the Arm. If the Safety Rod is removed, adjustment of the rim below a height of 6 ft. (1.83m) will cause internal damage to the mechanism.
- **DO NOT HANG** on the rim or any part of the goal system. This includes the backboard, support braces and net.
- During play, especially when performing dunking activities, players should keep their faces away from the backboard, rim and net. Serious injury could result if teeth or face come in contact with the backboard, rim or net. Do not wear jewelry or other loose objects that could become entangled with the net.
- Twice yearly, check the goal system for loose hardware, excessive wear and signs of corrosion. Repair the system before use.
- Never play on damaged equipment.

GOAL ASSEMBLY

IMPORTANT: Concrete must cure a minimum of 72 hours before installing the goal.

IMPORTANT: Safe assembly of the goal requires two to three people in good physical condition and capable of lifting 80-100 lbs (36-45 kg) each.

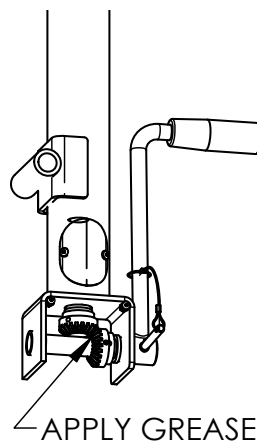
IMPORTANT: Locate and familiarize yourself with all the parts of the goal before beginning assembly.

REQUIRED TOOLS AND MATERIALS

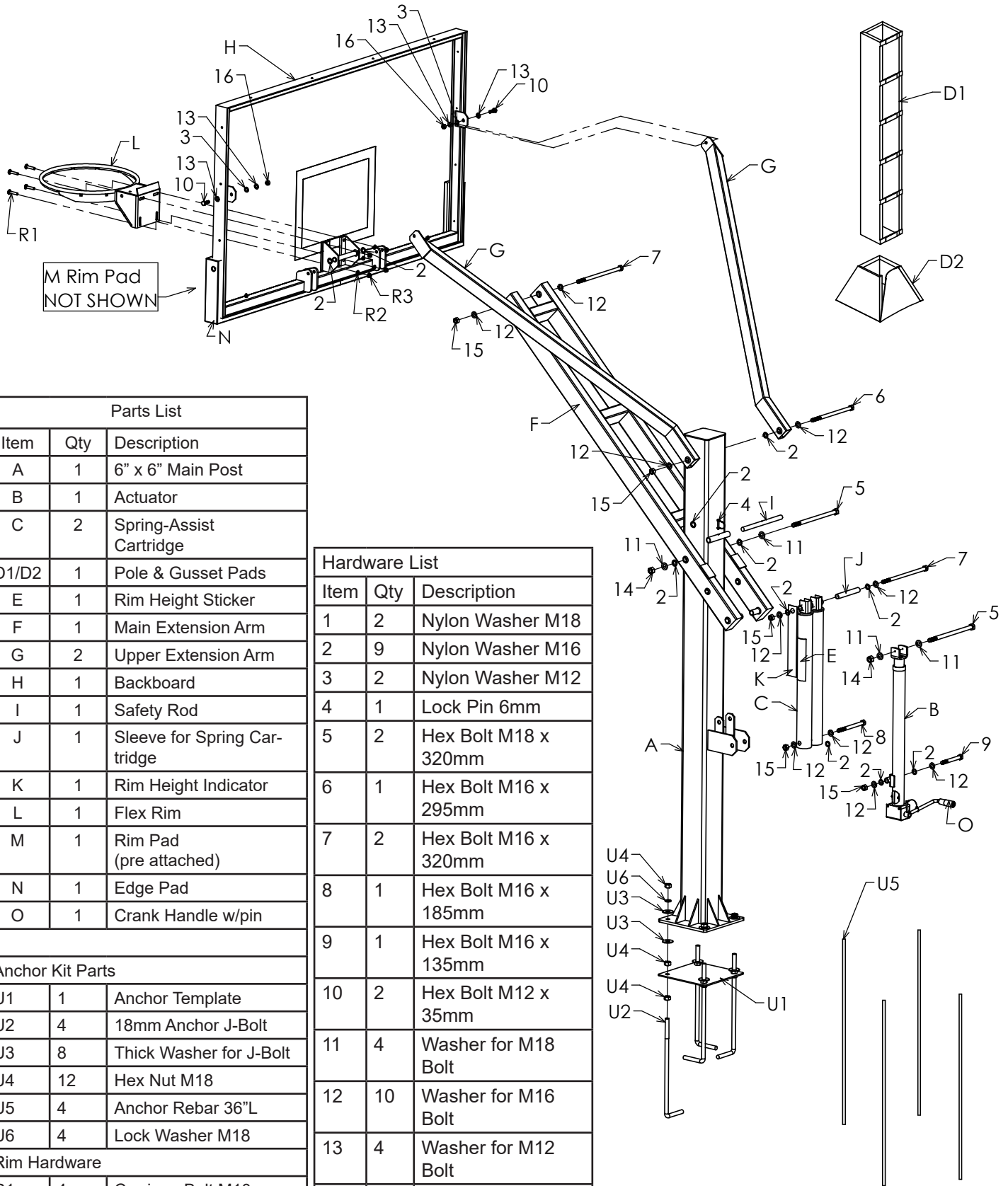
- Level
- Rubber Mallet
- 12' Tape Measure
- Phillips Screwdriver
- Ratchet
 - Sockets and wrenches:
 - 15mm (9/16")
 - 19mm (3/4")
 - 24mm (15/16")
 - 27mm (1-1/16")

MAINTENANCE

IMPORTANT: The actuator has grease inside the box at the bottom of the unit. Inspect gear grease bi-yearly for condition. If the grease is dried out or missing apply axle grease to the gears as shown. Remove the screws on the cover of the actuator to access the gears.

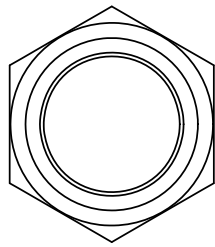
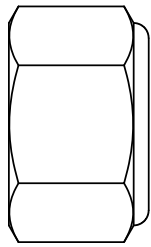


PV672 EXPLODED VIEW

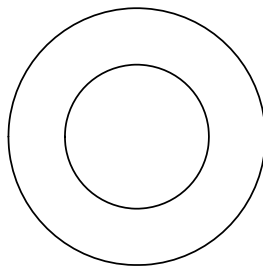


Parts List		
Item	Qty	Description
A	1	6" x 6" Main Post
B	1	Actuator
C	2	Spring-Assist Cartridge
D1/D2	1	Pole & Gusset Pads
E	1	Rim Height Sticker
F	1	Main Extension Arm
G	2	Upper Extension Arm
H	1	Backboard
I	1	Safety Rod
J	1	Sleeve for Spring Cartridge
K	1	Rim Height Indicator
L	1	Flex Rim
M	1	Rim Pad (pre attached)
N	1	Edge Pad
O	1	Crank Handle w/pin
Anchor Kit Parts		
U1	1	Anchor Template
U2	4	18mm Anchor J-Bolt
U3	8	Thick Washer for J-Bolt
U4	12	Hex Nut M18
U5	4	Anchor Rebar 36"L
U6	4	Lock Washer M18
Rim Hardware		
R1	4	Carriage Bolt M10 x 50mm
R2	4	Washer M10
R3	4	Flange Nut M10

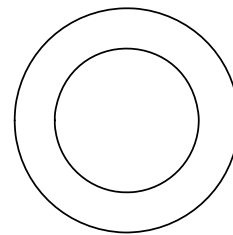
Hardware List		
Item	Qty	Description
1	2	Nylon Washer M18
2	9	Nylon Washer M16
3	2	Nylon Washer M12
4	1	Lock Pin 6mm
5	2	Hex Bolt M18 x 320mm
6	1	Hex Bolt M16 x 295mm
7	2	Hex Bolt M16 x 320mm
8	1	Hex Bolt M16 x 185mm
9	1	Hex Bolt M16 x 135mm
10	2	Hex Bolt M12 x 35mm
11	4	Washer for M18 Bolt
12	10	Washer for M16 Bolt
13	4	Washer for M12 Bolt
14	2	Lock Nut M18
15	5	Lock Nut M16
16	2	Lock Nut M12



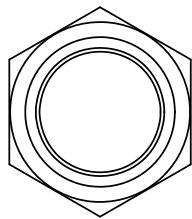
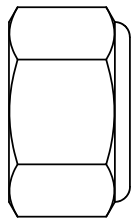
M18 Lock Nut
QTY: 2



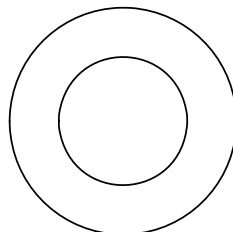
M18 x 33.5mm o.d.
Flat Washer
QTY: 4



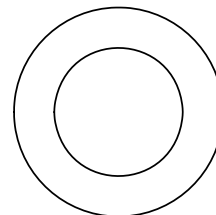
M18 x 30mm o.d.
Black Nylon Washer
QTY: 2



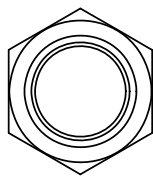
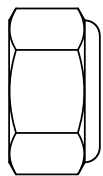
M16 Lock Nut
QTY: 5



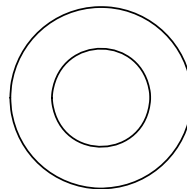
M16 x 29.5mm o.d.
Flat Washer
QTY: 10



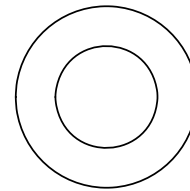
M16 x 28mm o.d.
Black Nylon Washer
QTY: 9



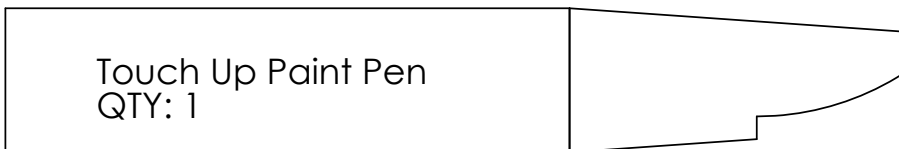
M12 Lock Nut
QTY: 2



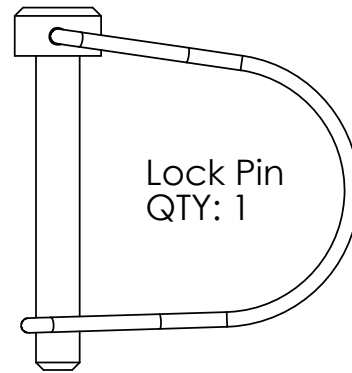
M12 x 24mm o.d.
Flat Washer
QTY: 4



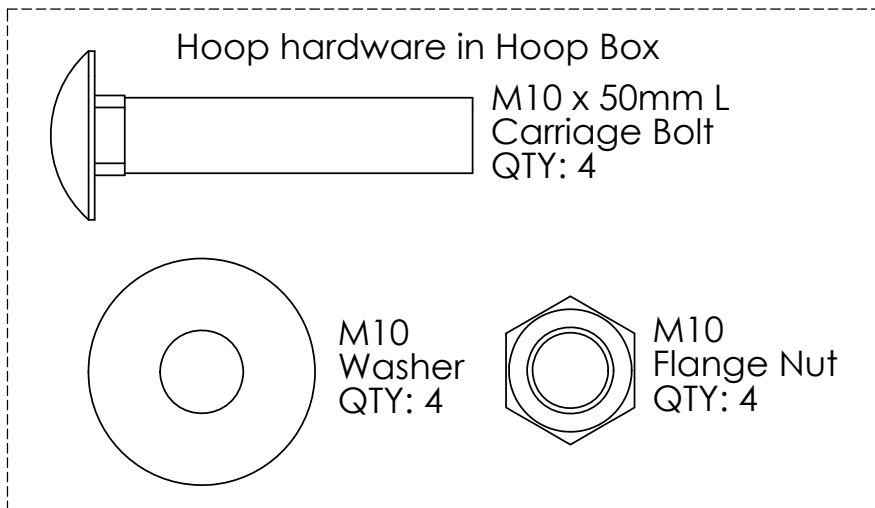
M12 x 24mm o.d.
Black Nylon Washer
QTY: 2



Touch Up Paint Pen
QTY: 1



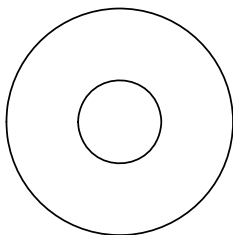
Lock Pin
QTY: 1



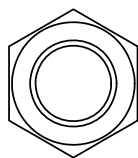
Hoop hardware in Hoop Box



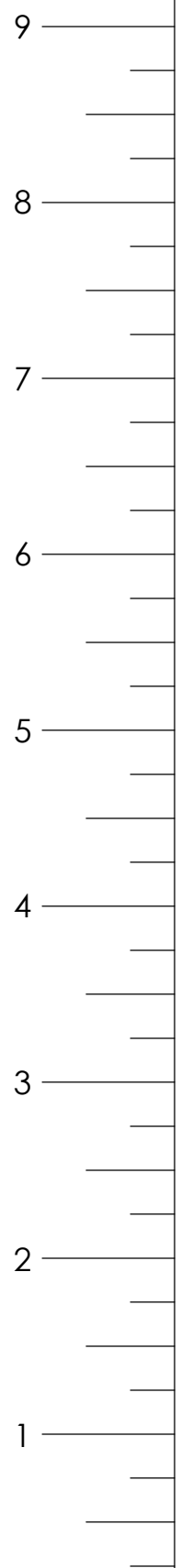
M10 x 50mm L
Carriage Bolt
QTY: 4

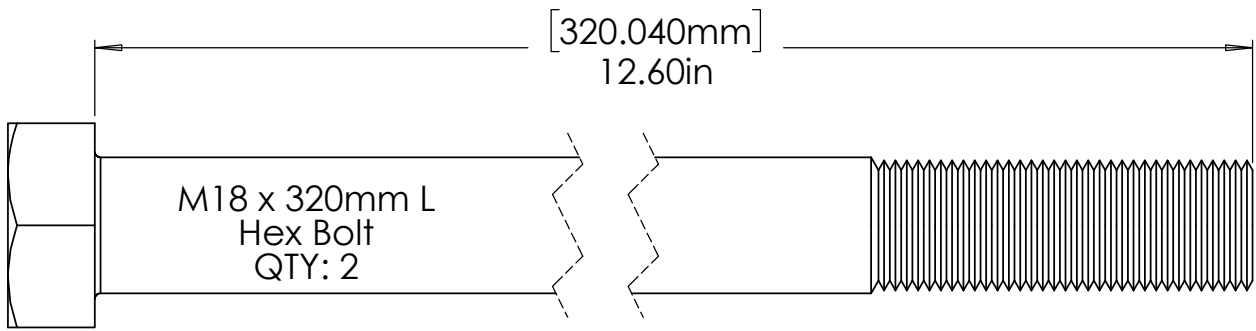


M10
Washer
QTY: 4

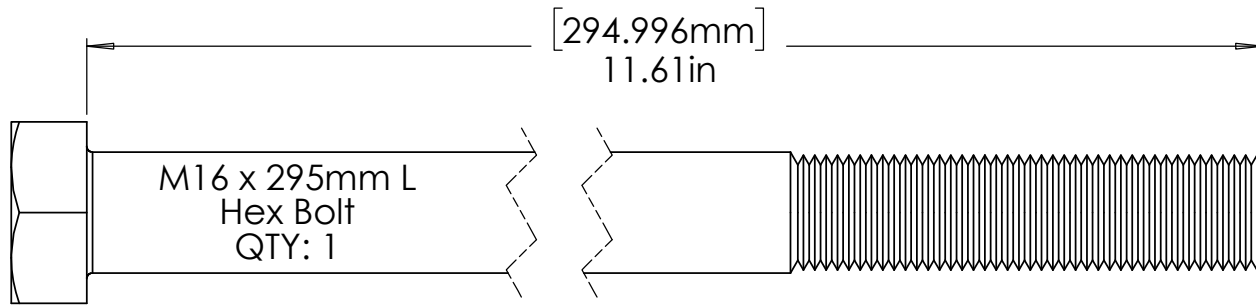


M10
Flange Nut
QTY: 4



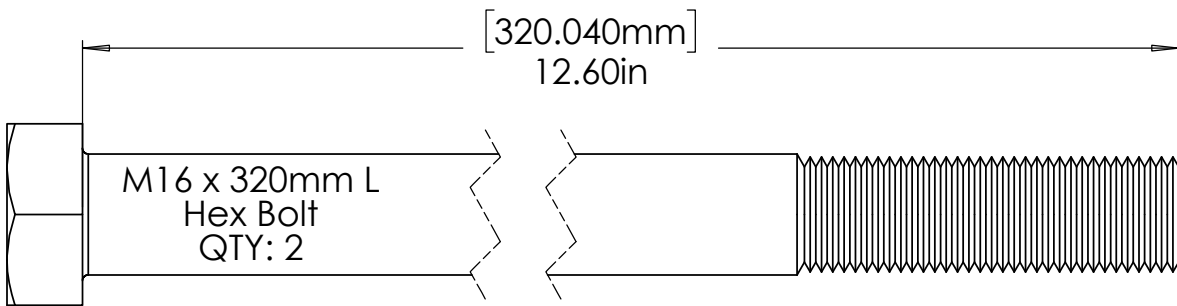


9



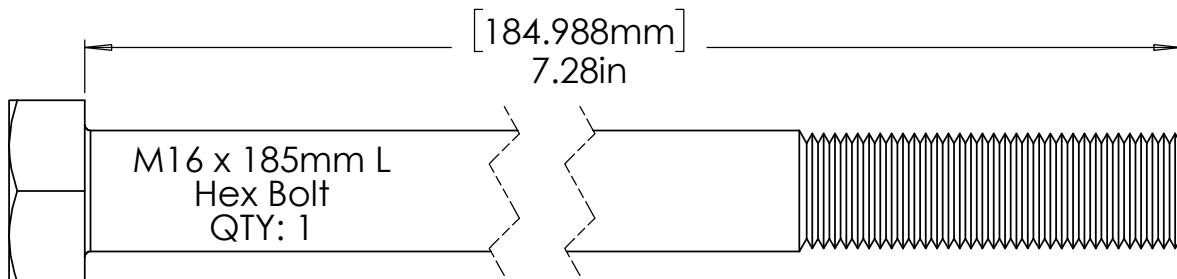
8

7

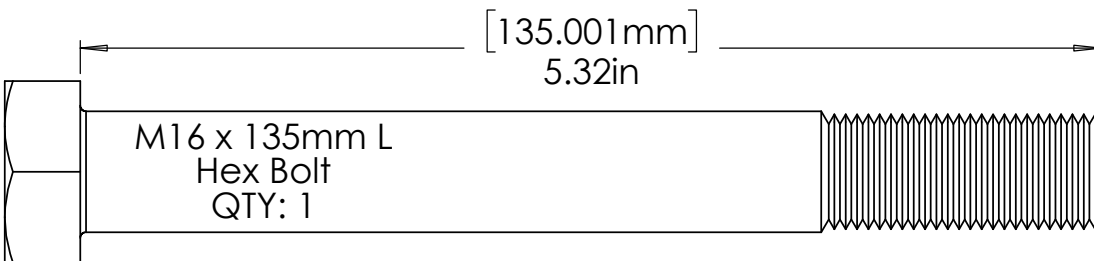


6

5

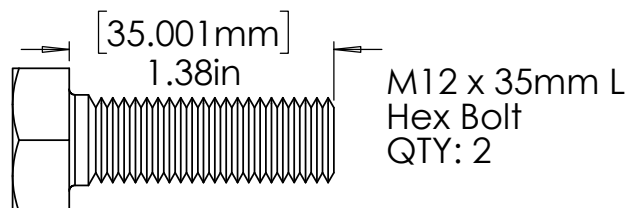


4

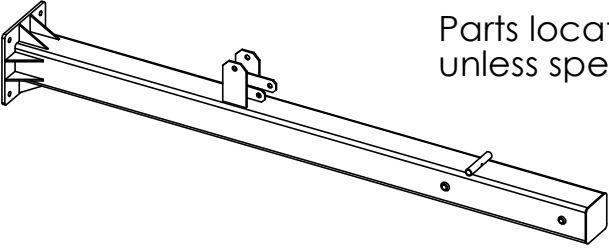
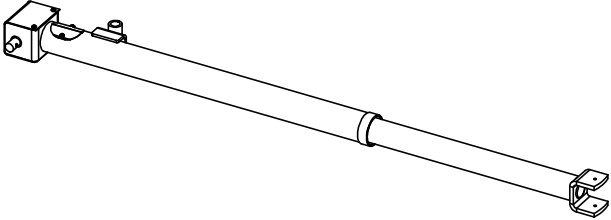
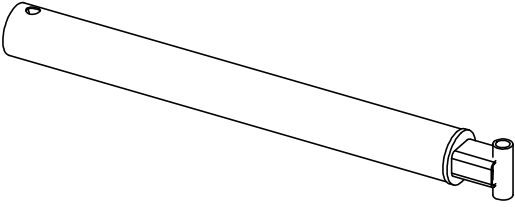
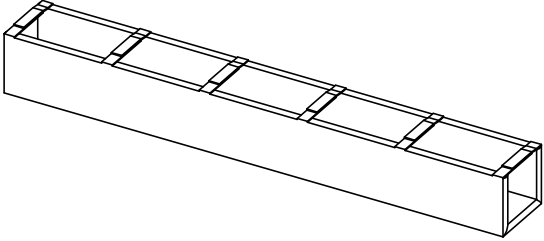
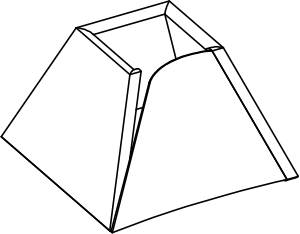
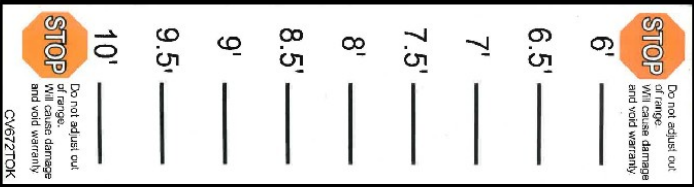
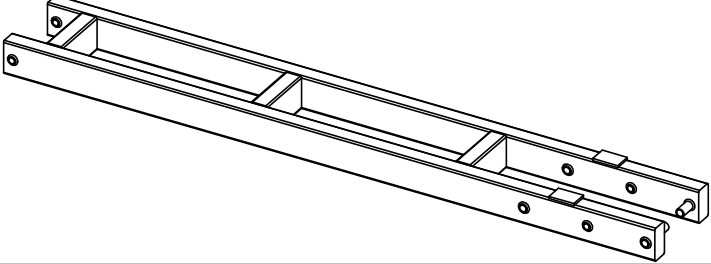


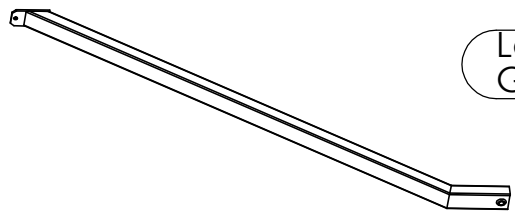
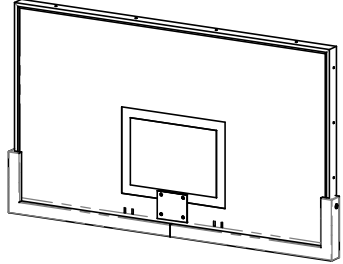
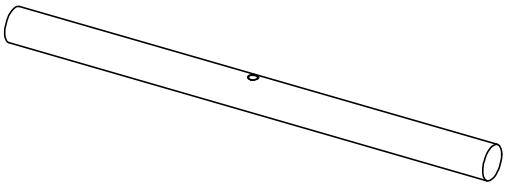
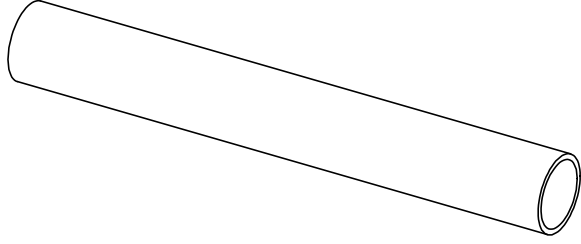
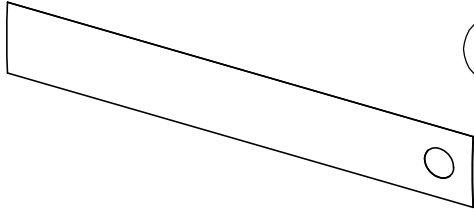
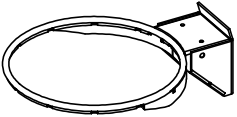
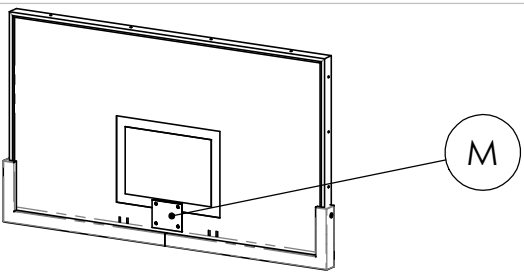
3

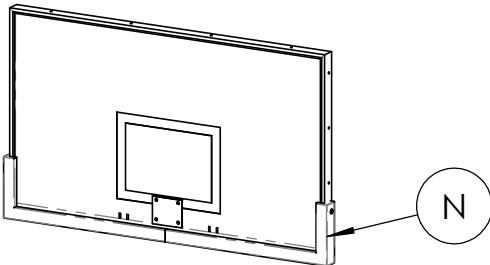
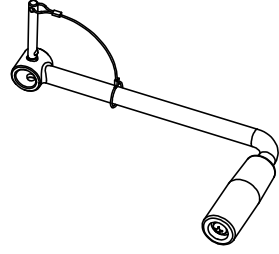
2



1

PV672 PARTS	PICTURE	DESCRIPTION	QTY.
	 <p>Parts located in post box unless specified otherwise</p>	<p>6" X 6" Main Post (A) Z-087</p>	<p>1</p>
		<p>Actuator (B) Z-030</p>	<p>1</p>
		<p>Spring-assist Cartridge (C) Z-039</p>	<p>2</p>
		<p>Pole Pad (D1) P6P</p>	<p>1</p>
	 <p>Located in Goal Box</p>	<p>Gusset Pad (D2) P1849</p>	<p>1</p>
	 <p>Located in Goal Box</p>	<p>Rim Height Sticker (E) Z-064</p>	<p>1</p>
		<p>Main Extension Arm (F) Z-006</p>	<p>1</p>

PV672 PARTS	PICTURE	DESCRIPTION	QTY.
 <p data-bbox="722 178 982 262">Located in Goal Box</p>	<p data-bbox="1112 199 1388 304">Upper Extension Arm (G) Z-009</p>	<p data-bbox="1469 199 1518 273">2</p>	
 <p data-bbox="755 483 1015 567">Located in Goal Box</p>	<p data-bbox="1112 462 1388 609">72" PROview glass back-board (H) Z-077</p>	<p data-bbox="1469 483 1510 556">1</p>	
 <p data-bbox="730 724 1039 871">Located in Post Hardware Kit</p>	<p data-bbox="1128 756 1364 840">Safety Rod 20mm dia. (I)</p>	<p data-bbox="1469 756 1510 829">1</p>	
 <p data-bbox="722 987 1031 1134">Located in Post Hardware Kit</p>	<p data-bbox="1079 1029 1421 1113">Sleeve for Spring Cartridge (J)</p>	<p data-bbox="1469 1029 1510 1102">1</p>	
 <p data-bbox="771 1260 1015 1333">Located in Goal Box</p>	<p data-bbox="1144 1291 1356 1407">Rim Height Indicator (K) Z-036</p>	<p data-bbox="1469 1302 1510 1375">1</p>	
 <p data-bbox="787 1564 1031 1648">Located in Rim Box</p>	<p data-bbox="1144 1554 1356 1701">Heavy Duty Dual Spring Flex Rim (L) R 10850</p>	<p data-bbox="1469 1575 1510 1648">1</p>	
 <p data-bbox="836 1869 901 1942">M</p>	<p data-bbox="1096 1848 1404 1921">Rim Pad Pre-Attached (M)</p>	<p data-bbox="1469 1848 1510 1921">1</p>	

PV672 PARTS	PICTURE	DESCRIPTION	QTY.
		Safety Backboard Edge Pad (Pre-attached) (N) P72E	1
	 <div data-bbox="722 472 1031 619" style="border: 1px solid black; border-radius: 15px; padding: 5px; display: inline-block;"> Located in Post Hardware Kit </div>	Crank Handle with removable pin (O) Z-035	1
	Post Hardware Kit (See contents on earlier page)	Post Hardware Kit Z-003	1
	Rim Hardware Kit (See contents on earlier page) <div data-bbox="755 1029 990 1102" style="border: 1px solid black; border-radius: 15px; padding: 5px; display: inline-block; margin-left: 20px;"> Located in Rim Box </div>	Rim Hardware Kit	1
	Anchor Kit with Hardware and rebar (See contents in Appendix)	Anchor Kit G1756	1

PV672

STEP 1:

A. Slide a Thick Washer (U3) over each of the J-Bolts (U2) (Figure 1A)

B. Place the Main Post (A) over the J-Bolts (see Playing Court direction in Figure 1C below). (See Figure 1B) Place a Thick Washer (U3), a Lock Washer (U6) and a Hex Nut (U4) onto each J-Bolt. Tighten the Nuts only a few turns onto the J-Bolts while having an assistant hold the Main Post.

C. (See Figure 1B) If the Main Post (A) is not exactly vertical, adjust the J-Bolt Hex Nuts (U4) located under the post base. Tighten all of the Hex Nuts (U4) above the Post Base Plate when the Main Post (A) is vertical.

Note: All fasteners shown below come inside the Pier Mount Anchor carton

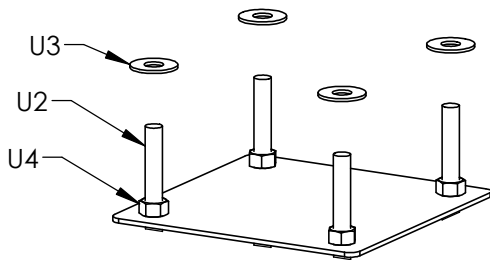
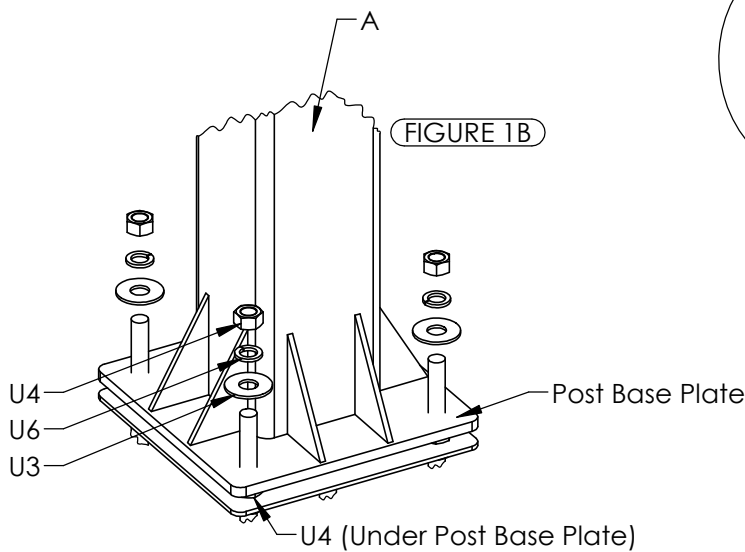
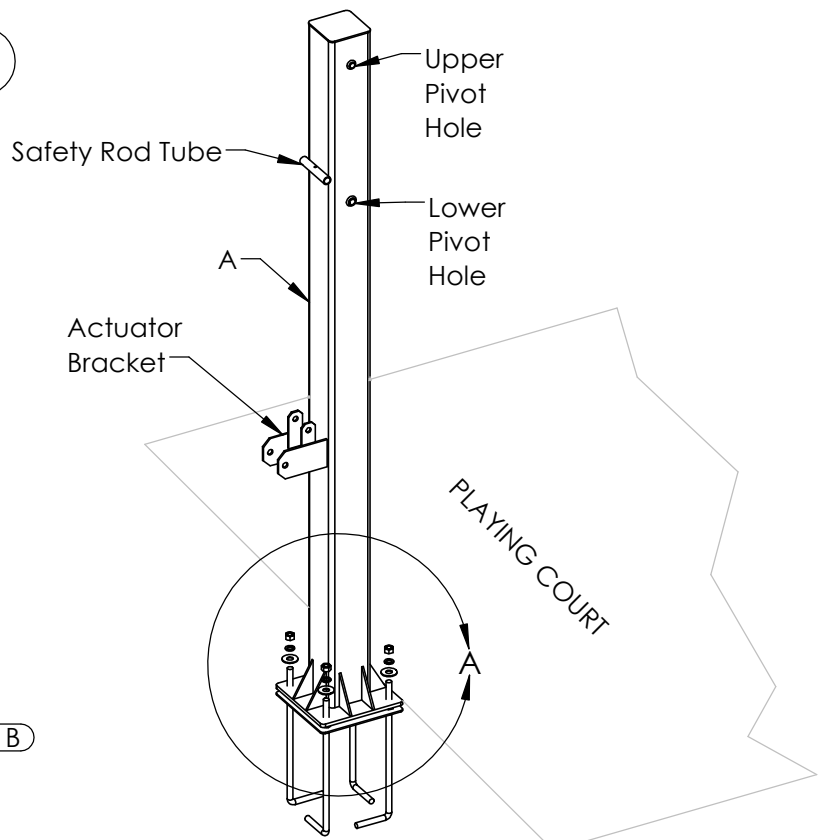


FIGURE 1A



DETAIL A

PV672

STEP 2:

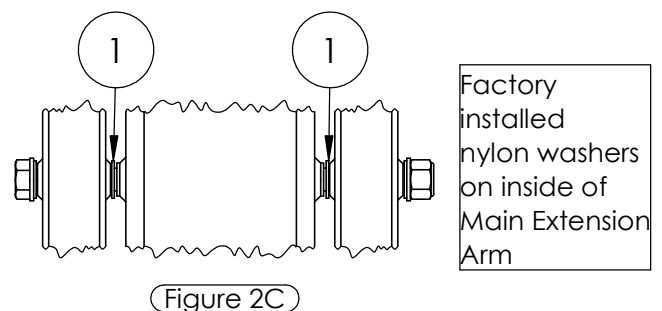
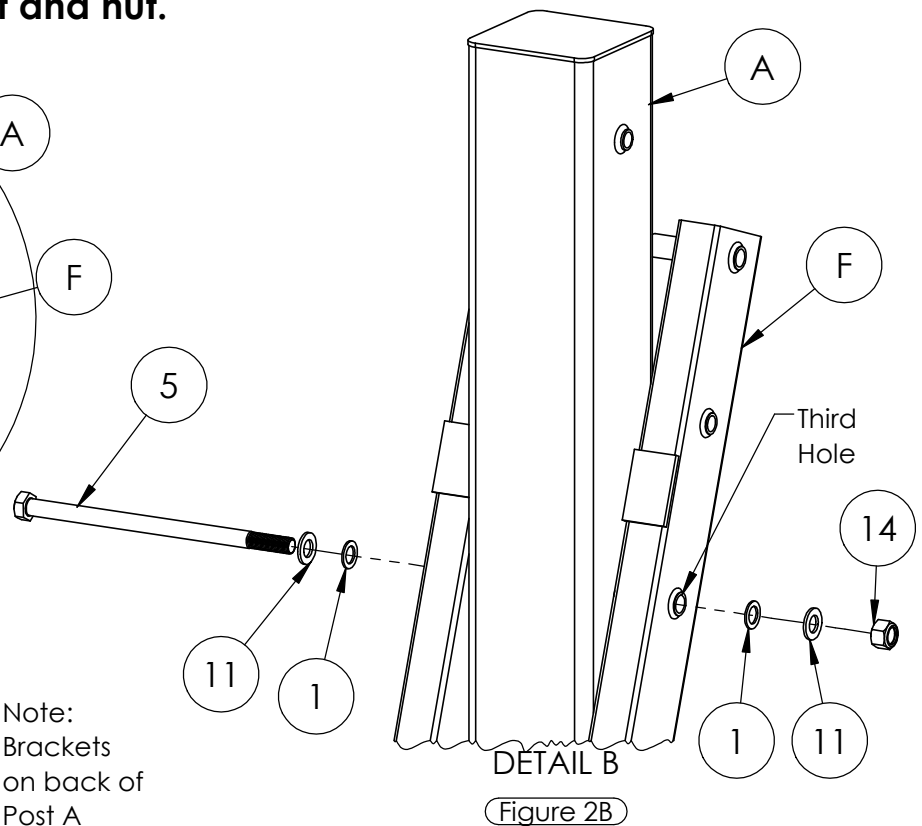
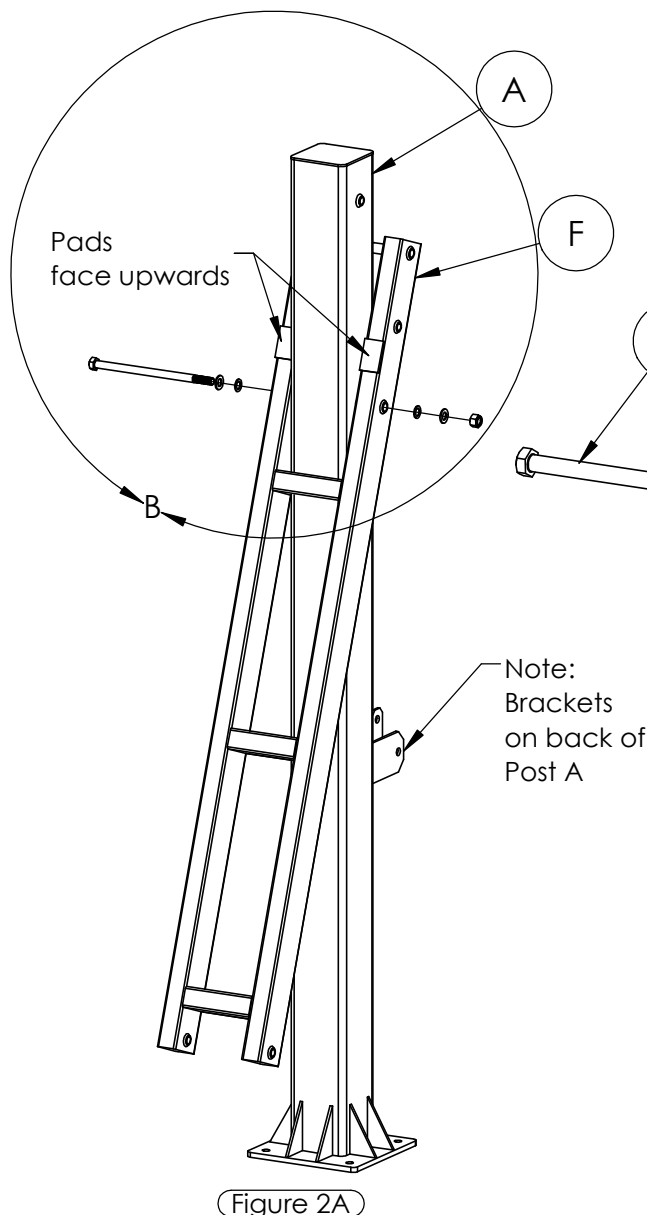
(See Figure 2C) There should be (#1) Nylon Washers pre-installed onto the inside of the Main Extension Arm (F) from the factory. Make sure they stay in place during construction.

A. Slide the Main Extension Arm (F) over the top of the Main Post (A) with the rubber pads facing upwards. Note the brackets are on the back side of the Main Post. (See Figure 2A)

B. Align the third holes in the Arm with the lower pivot hole in the Post. (See Figure 2B)

C. Attach F to A with (#5) Hex Bolt M18 x 320mm, (#11) M18 Flat Washers, (#1) M18 Nylon Washers and (#14) M18 Lock Nut. (See Figure 2B)

D. **Do not overtighten the bolt and nut.**



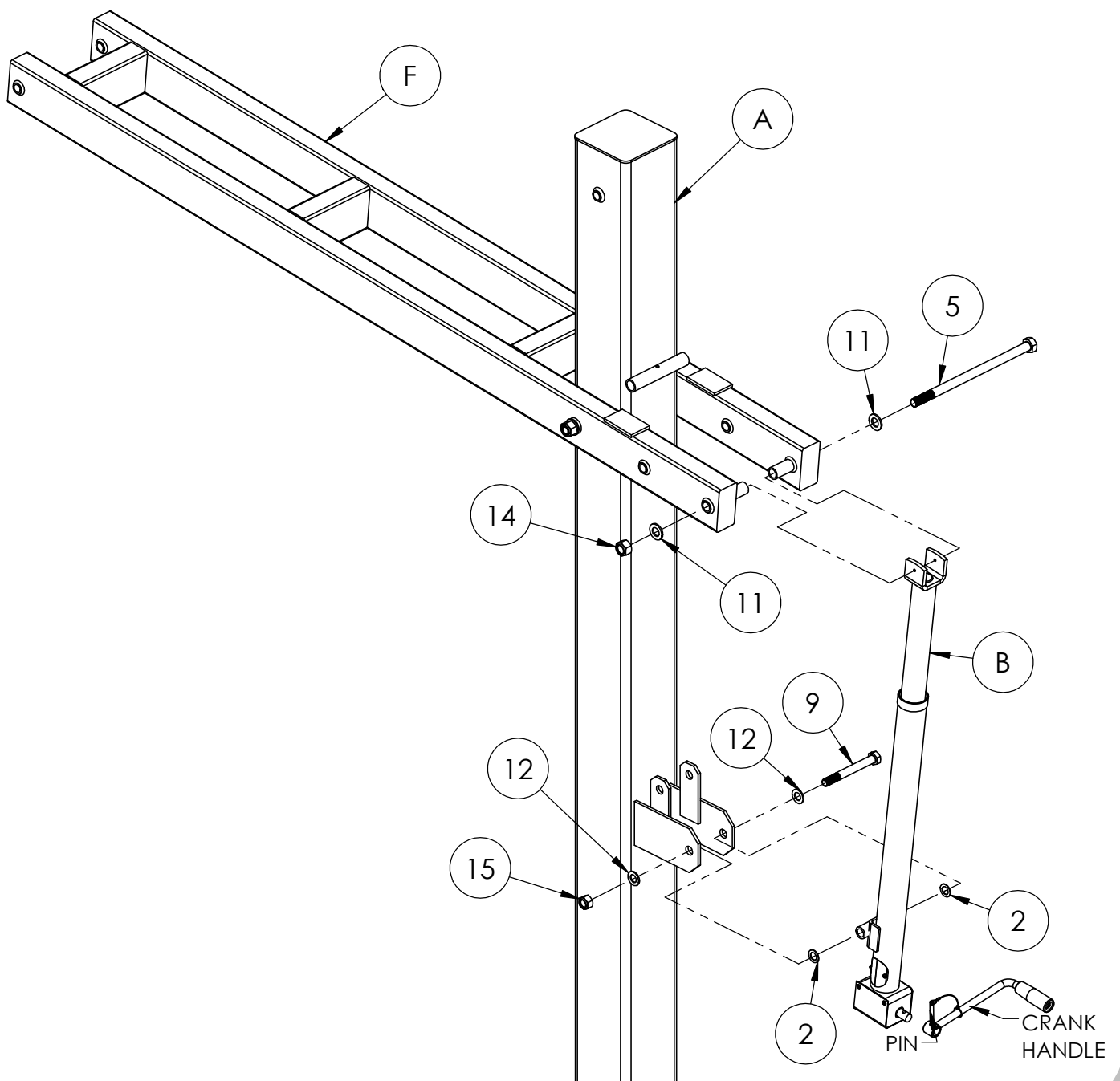
PV672

STEP 3:

A. Connect Actuator (B) to Main Extension Arm (F). Place the upper bracket of Actuator between the last set of welded tubes on the Main Extension Arm (F). Attach the two parts using one (#5) Hex Bolt M18 x 320mm, two (#11) Flat Washers M18 and one (#14) Lock Nut.

B. Connect Actuator (B) to the mounting bracket welded in the middle of Post (A). Attach the parts using one (#9) Hex Bolt M16 x 135mm, two (#12) Flat Washers, two (#2) M16 Nylon Washers and one (#15) Lock Nut M16.

C. Attach Crank Handle to the Actuator. Slide removable Crank Handle onto the shaft sticking out of the gear box on the Actuator. Align the holes and lock the Crank Handle in place with the attached pin.



PV672

STEP 4:

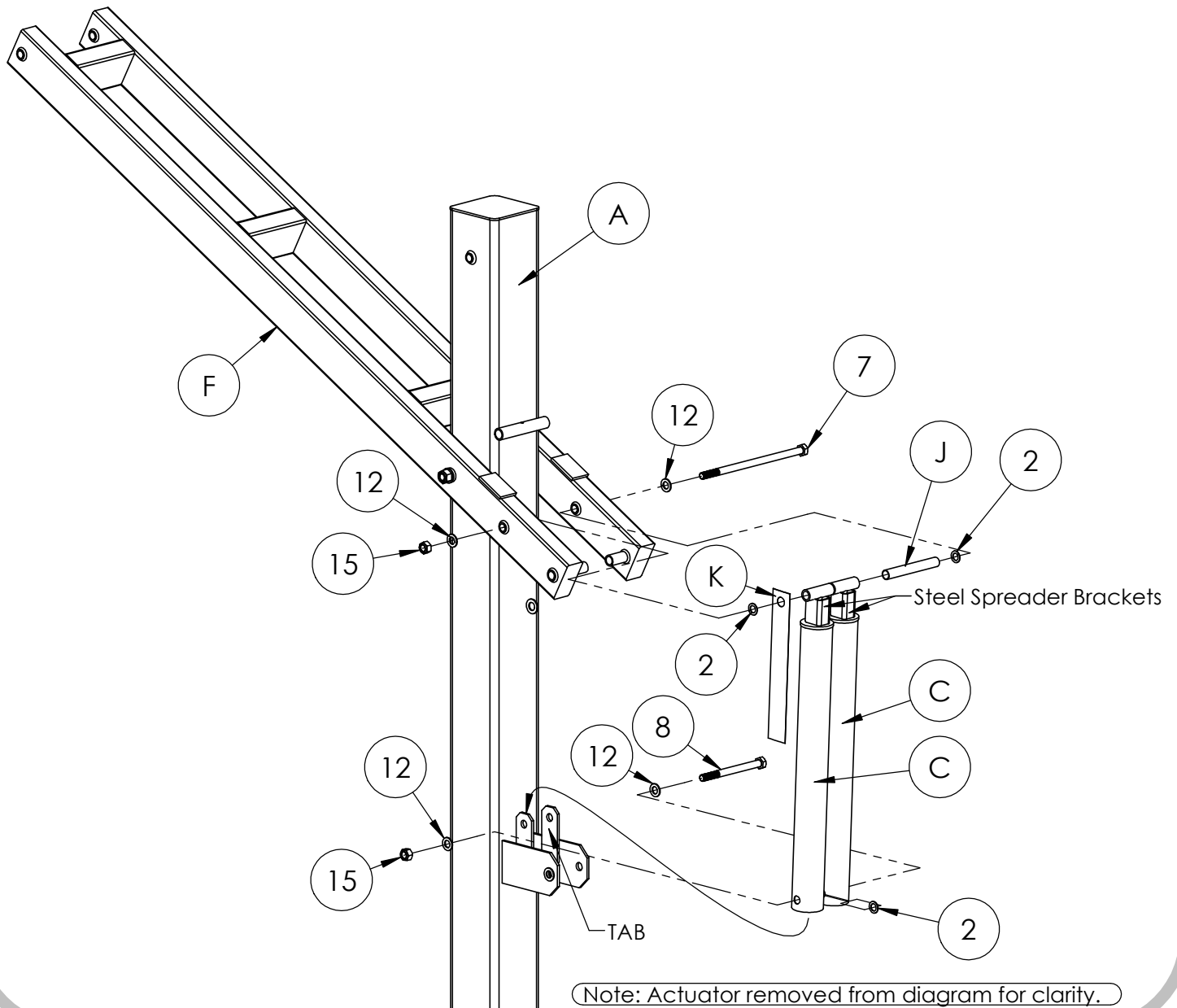
A. Slide one (#12) Washer M16 over the end of one (#7) Hex Bolt M16 x 320mm. Slide the end of the bolt through one side of the hole in (F) Main Extension Arm. Place one (#2) Nylon Washer M16 over the end of the bolt.

Slide (J) Steel Sleeve through both tubes welded at the top end of both (C) Spring-Assist Cartridges. Place the stainless steel (K) Rim Height Indicator over the end of (J) Steel Sleeve. Place the top of Spring-Assist in between (F) Main Extension Arm. Now push the (#7) Hex Bolt through the sleeve only. Place one (#2) Nylon Washer M16 between the end of the Steel Sleeve and the inside of (F) Main Extension Arm. Slide the Hex Bolt through the Nylon Washer and the rest of the way through (F) Main Extension Arm.

Slide one (#12) Washer M16 over the end of the bolt and then secure a (#15) Lock Nut M16 onto the end. Now tighten the nut, but **DO NOT overtighten it**. This bolt is a pivot point and the (K) Rim Height Indicator should hang freely along side of (C) Spring-Assist Cartridge.

B. The tabs of the (A) Main Post will go inside the bottom of the (C) Spring-Assist Cartridges. Place a (#12) Flat Washer over the end of the (#8) Hex Bolt M16 x 185mm. Slide the bolt through the first Spring-Assist, then place a (#2) Nylon Washer M16 between the Spring Assists and slide the bolt through the nylon washer and the second assist. Slide a #12 Flat Washer M16 over the end of the Hex Bolt and secure a #15 Lock Nut M16 onto the end.

C. Remove and discard the steel spreader bracket from each of the (C) Spring-Assist Cartridges



PV672

STEP 6:

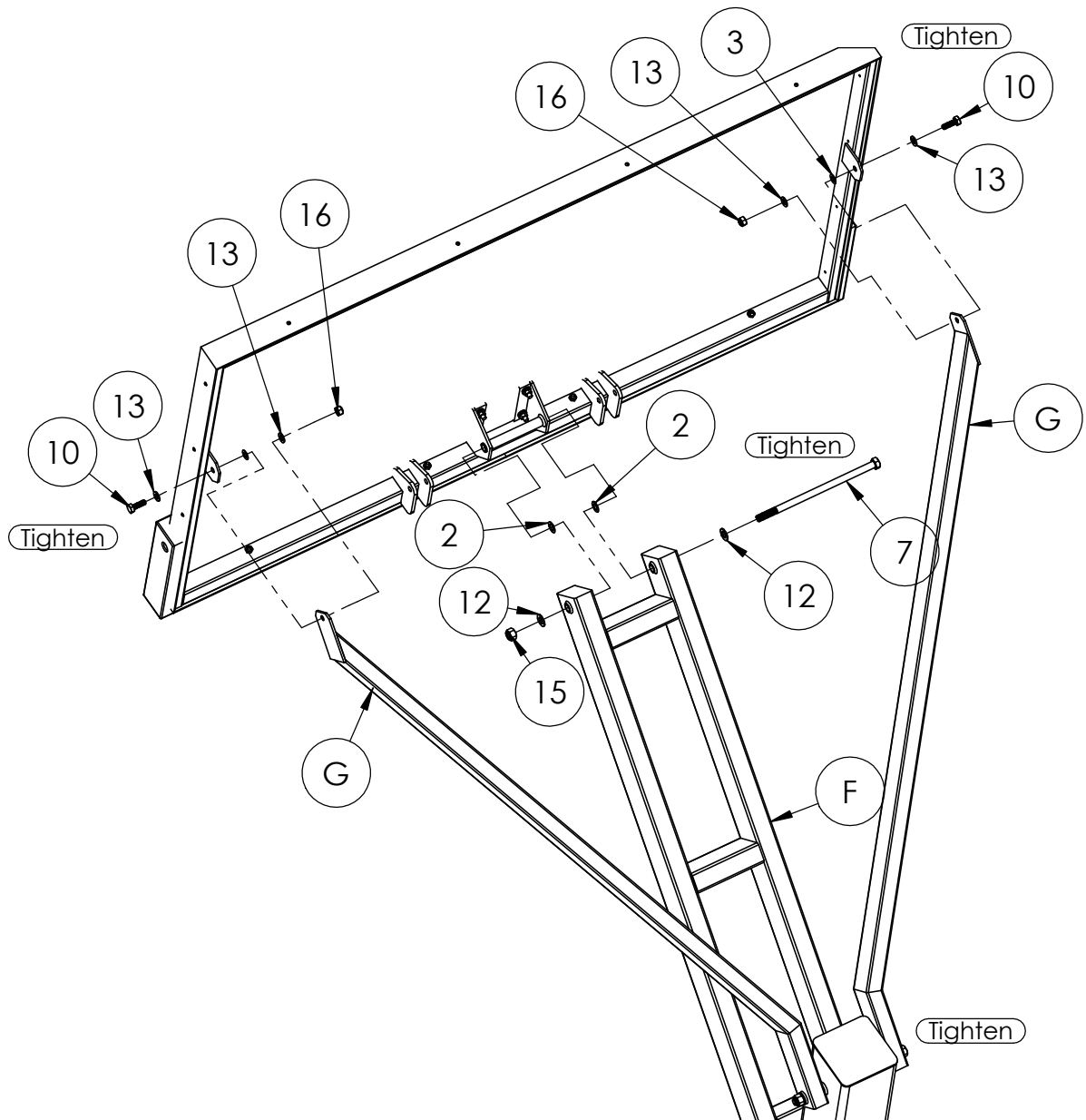
A. Crank the Main Extension Arm as low as possible. Have 2 assistants hold the backboard while you install the hardware.

B. Attach the (H) Backboard to (F) Main Extension Arm. Place a (#12) Flat Washer M16 over the end of a (#7) Hex Bolt M16 x 320mm. Insert the bolt through one side of the (F) Main Extension Arm. Then place a (#2) Nylon Washer M16 over the end of the bolt. Have your assistants hold up the backboard while you slide the bolt through the bottom bracket on the Backboard. Then place a (#2) Nylon Washer M16 over the end of the bolt and continue to slide the bolt through the other side of the Main Extension Arm. Finally place a (#12) Flat Washer M16 and a (#15) Lock Nut M16 onto the end of the bolt.

C. Have your assistants hold the backboard. Place a (#13) Flat Washer M12 over the end of a (#10) Hex Bolt M12 x 35mm. Place the bolt through the bracket on the top right of the Backboard. Place a (#3) Nylon Washer M12 onto the end of the bolt and slide the bolt through the end of right (G) Upper Extension Arm. Place a (#13) Flat Washer M12 and a (#16) Lock Nut onto the end of the bolt.

D. Have your assistants hold the backboard. Place a (#13) Flat Washer M12 over the end of a (#10) Hex Bolt M12 x 35mm. Place the bolt through the bracket on the top left of the Backboard. Place a (#3) Nylon Washer M12 onto the end of the bolt and slide the bolt through the end of left (G) Upper Extension Arm. Place a (#13) Flat Washer M12 and a (#16) Lock Nut onto the end of the bolt.

E. Tighten the bolts at the points indicated by "Tighten" below. Run the Backboard up and down to check for any tightness or binding. If any tightness or binding is found slightly loosen the nut at that point. Note every lock nut should have at least 2 bolt threads showing past the end of the lock nut.



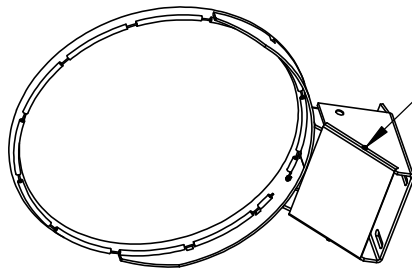
PV672

STEP 7:

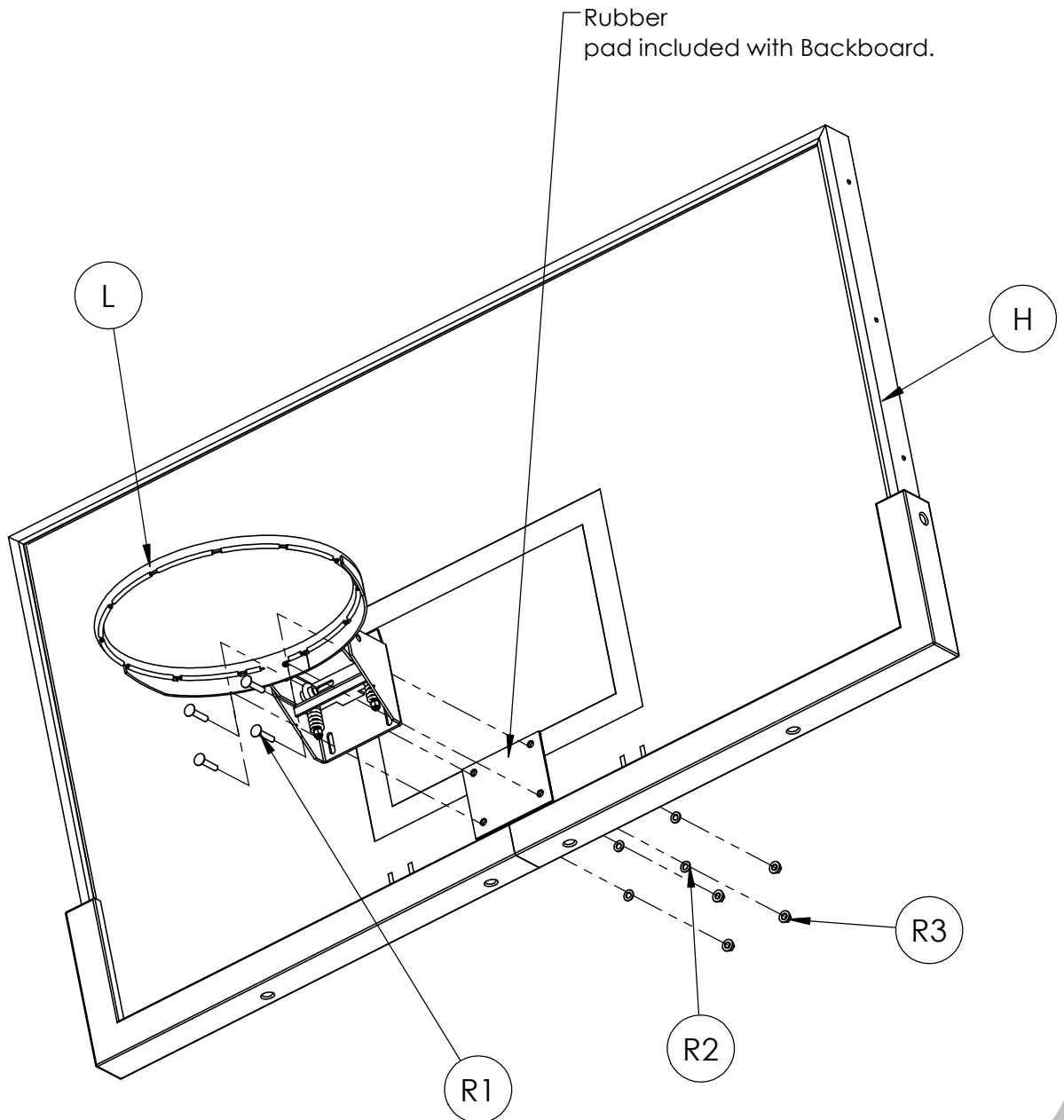
A. If the screws are installed on the Spring Cover Plate then remove them.

B. Fasten the Rim to the Backboard with four (R1) Carriage Bolts M10 x 50mm, four (R2) Washer M10 and four Flange Nuts M10. **Note: use a level to make sure the rim is level side to side before tightening nuts.**

C. Re-attach the Spring Cover Plate to the Rim.



If Spring Cover Plate is in place
remove these screws
on each side of the plate.

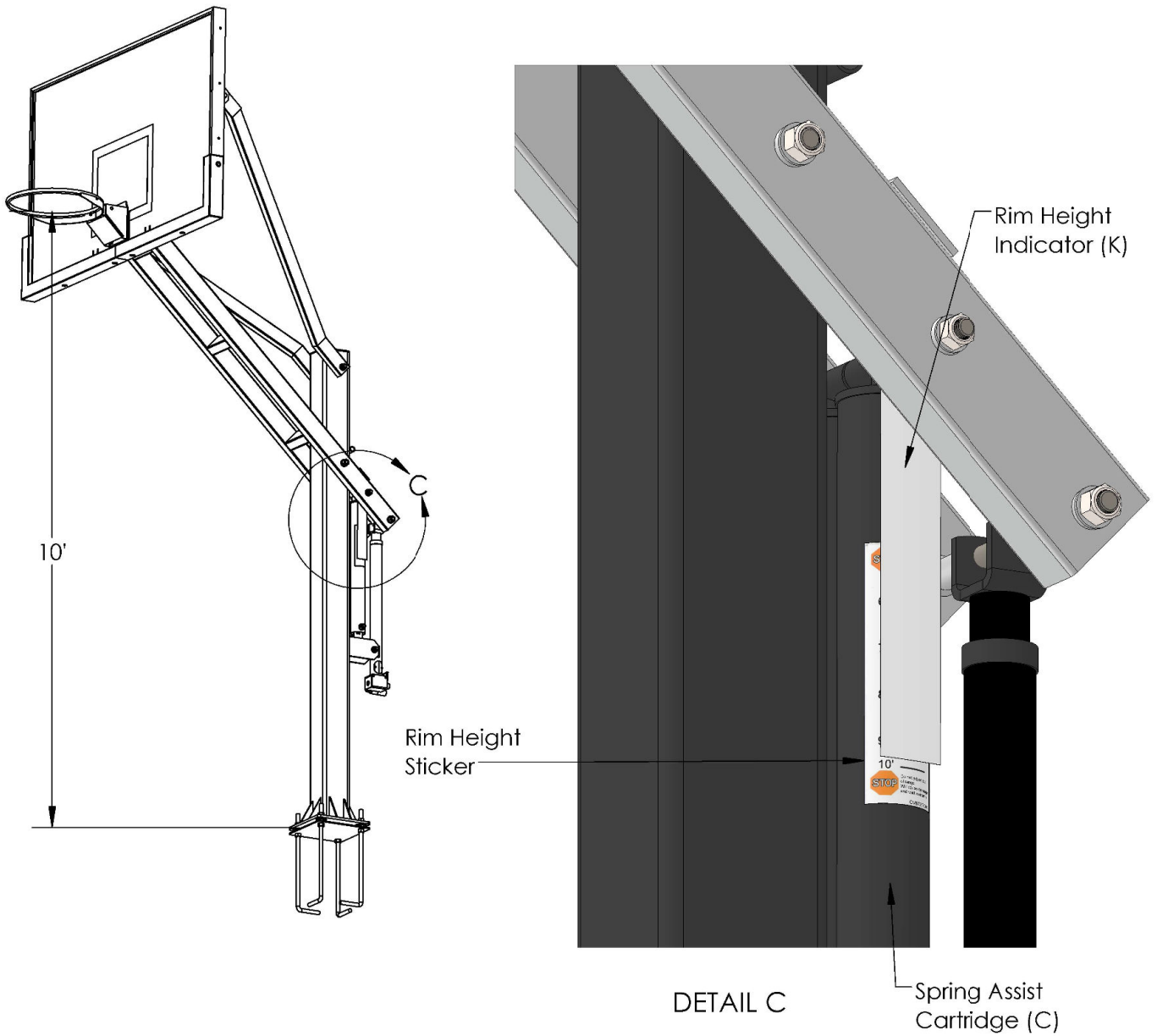


PV672

STEP 8A:

A. After everything is square, make sure all nuts on the system have been tightened. NOTE: Do not over tighten the nuts, make sure the unit can be adjusted up and down.

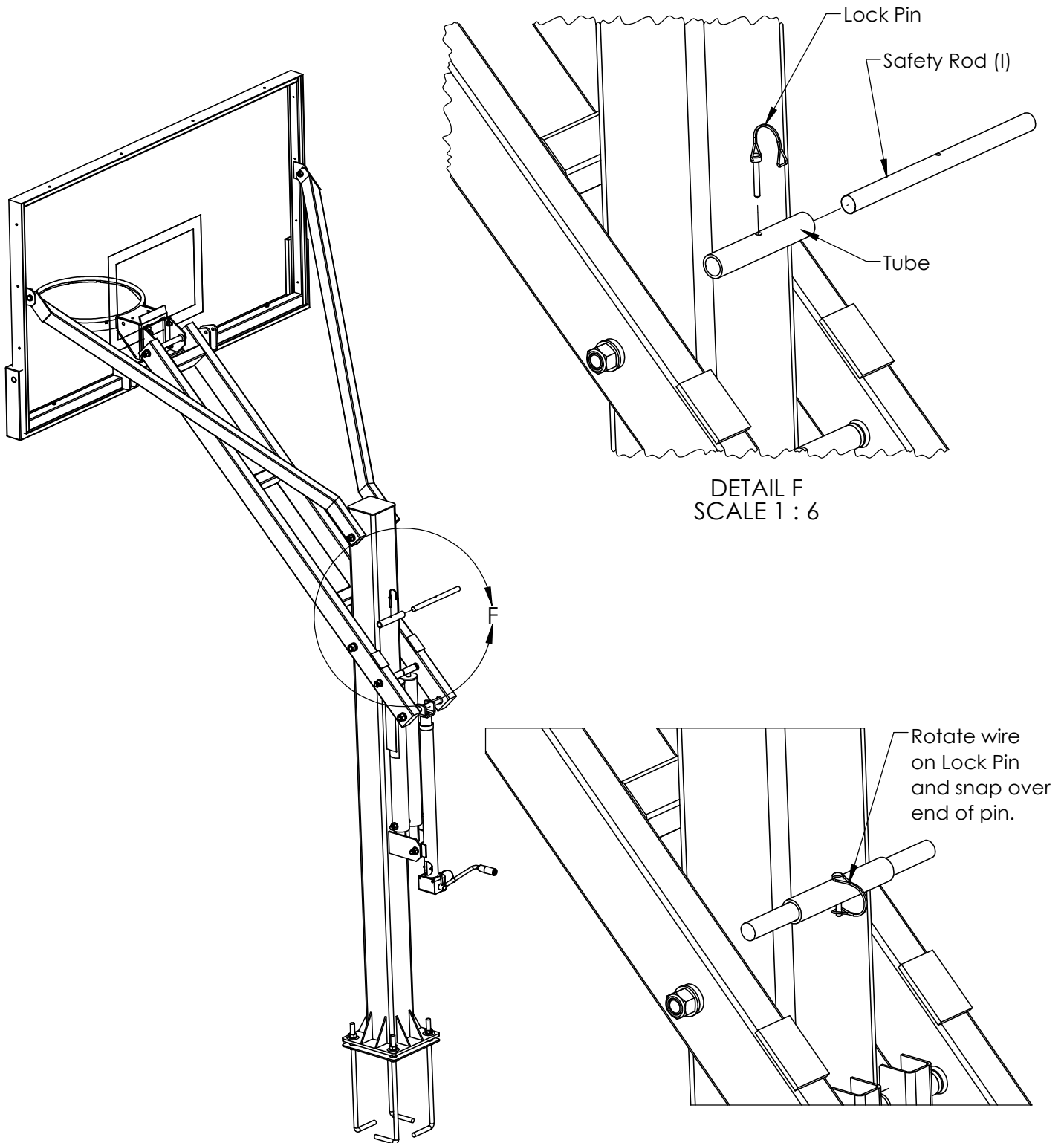
B. To apply the Rim Height Sticker (in the manual pack), first use a tape measure to crank rim up to exactly 10' from the playing surface. Use a pencil to make a mark on the Spring-assist Cartridge (C) where the bottom of the Rim Height Indicator (K) stops. Then, peel and apply Rim pencil mark with the 10' mark on the Rim Height Sticker. See detail C.



PV672

STEP 8B:

C. Slide Safety Rod (I) through the tube welded on the backside of the Main Post. Align the holes in the pin and the tube, then insert the 6mm Lock Pin.

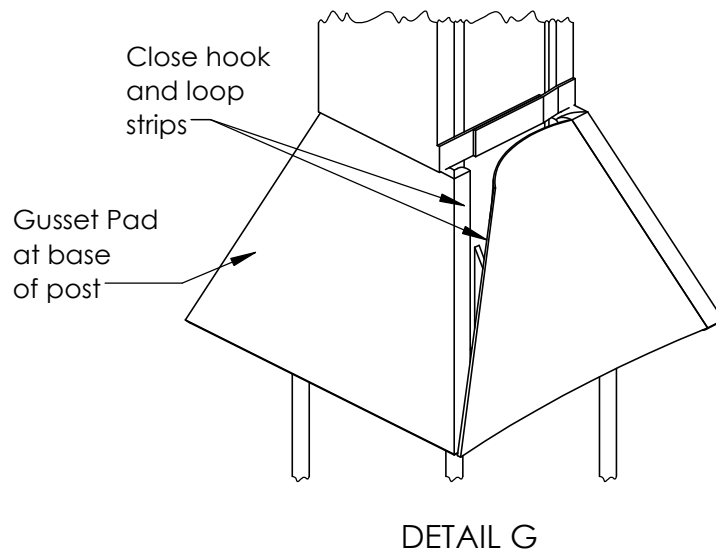
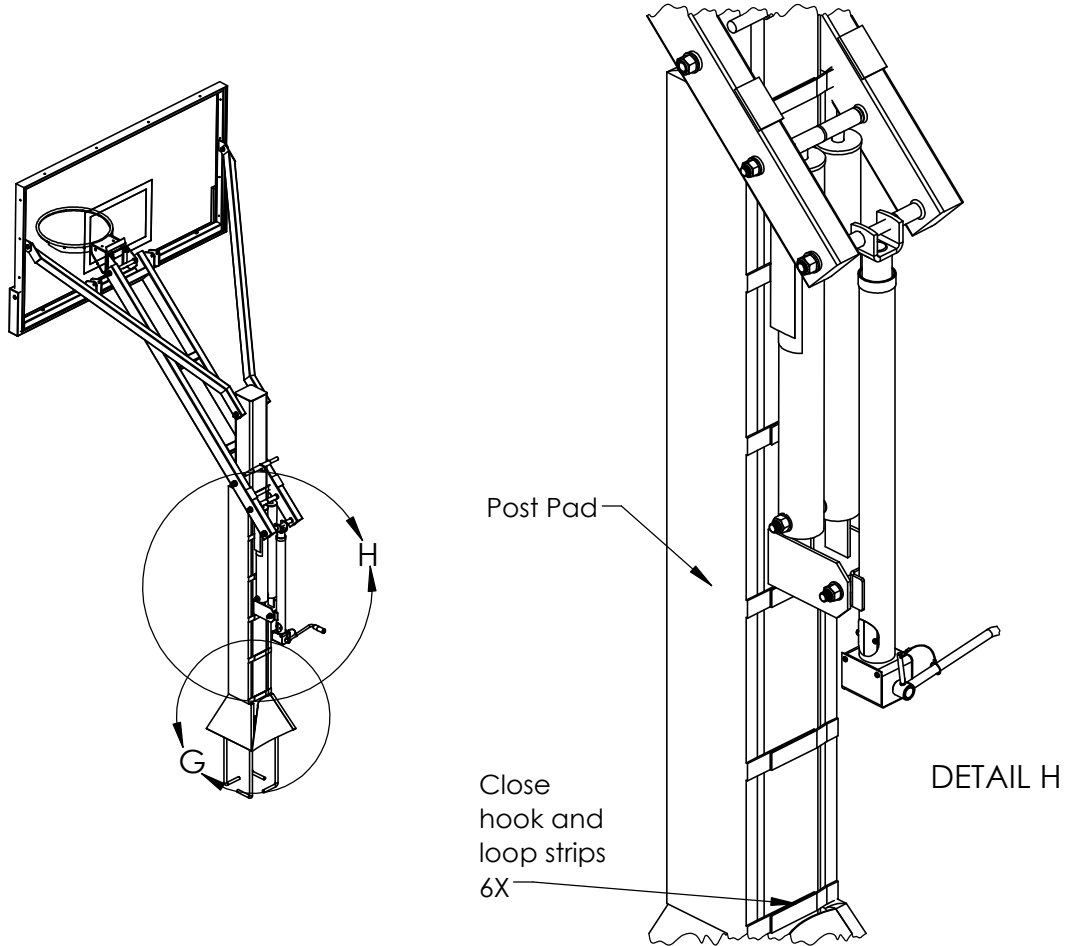


PV672

STEP 8C:

D. Push the Gusset Pad around the base of the Main Post. Then close the hook and loop strip on the Gusset Pad. (Detail G)

E. Put the Post Pad above the Gusset Pad and push around the post. Then close the six hook and loop strips behind the post. (Detail H)



WARRANTIES

BUYER AGREES THAT PRODUCTS SOLD BY PROformance Hoops CARRY THE FOLLOWING WARRANTY

Subject to proper installation, and normal intended use, all structural components of **PROview Series***, **Force Series***, and **Wall Mount Basketball Systems** are warranted to the original owner to be free of defects in materials and workmanship for the duration of ownership by the original retail purchaser, subject to the limitations below. PROformance Hoops shall have the right to require the purchaser to deliver the allegedly defective products to PROformance Hoops for testing, repair, or replacement.

PROformance Hoops shall not be responsible for any expense associated with the replacement or removal of the product from its application for such delivery. Freight and Handling charges may apply to covered warranty parts. Modification of any product by the customer, unless approved by PROformance Hoops, will void all warranty. Where listed as "**LIMITED**", the warranties shall cover damage of failure that occurs during the course of **NORMAL** or **INTENDED USE** of the product. Normal or intended use shall be described as activity that is necessary for the participation in the sport for which the equipment is damaged. **NOT COVERED** is damaged caused by deliberate hanging, multiple player hanging, vandalism, non-basketball activities, or any other activity that could be regarded as abusive.

Multi-Purpose Backboard Edge Padding: one year limited; Indoor Backboard Edge Padding: five year limited (indoor only); Custom-Fit Pole Padding: one year limited; Wrap-Around Pole Padding: one year limited. Actuator (all parts): five year limited.

NOT COVERED BY THIS WARRANTY

- Use in non-residential applications.
- Any products subjected to abuse, negligence, improper installation, vandalism, acts of God, alteration of product or any other events beyond the control of PROformance Hoops.
- Paint or rusted parts.
- Deterioration of product due to time and wear.

Normal deterioration of products due to atmospheric conditions, weather, rust, wear and tear (including paint), or other causes that do not affect functional use are not covered by PROformance Hoops warranties. All warranties are valid only when product is used in the intended application, and when installed according to PROformance Hoops instructions. Warranty will be void if maintenance instructions in the Owner's Manual are not followed, including actuator lubrication on a bi-yearly basis. If you did not receive an Owner's Manual, please contact PROformanceHoops.com and one will be sent to you.

WARRANTY CLAIMS: All returns must be arranged through the local dealer if available. Warranties do not cover dealer service charges, labor charges, freight or travel expense associated with replacement, repair, or removal of warranty item. A warranty claim form must be completed, and photos submitted for any item you wish to claim under warranty. If the purchase was not made through a dealer, this form is available by email. In response to your claim, you will receive an order confirmation as well as a notice stating whether PROformance Hoops needs your warranty item returned. PROformance Hoops will notify you if we determine that the item cannot be claimed under warranty. **PROformance Hoops is not responsible for any charges for labor to install or repair defective product prior authorization. PROformance Hoops will determine the most economical method to either repair or replace product before any work is to commence.**

TO THE MAXIMUM EXTENT PERMITTED BY LAW, THIS WARRANTY AND THE REMEDIES SET FORTH HEREIN ARE EXCLUSIVE AND EXPRESSLY IN LIEU OF ALL OTHER WARRANTIES, EXPRESSED OR IMPLIED, INCLUDING WARRANTIES OR MERCHANTABILITY OR FITNESS FOR A PARTICULAR PURPOSE. IF PROFORMANCE HOOPS CANNOT DISCLAIM OR EXCLUDE IMPLIED WARRANTIES UNDER APPLICABLE LAW, THEN TO THE EXTENT POSSIBLE ANY CLAIMS UNDER SUCH IMPLIED WARRANTIES SHALL EXPIRE OR EXPIRATION OR THE APPLICABLE WARRANTY PERIOD. SOME STATES DO NOT ALLOW LIMITATIONS ON HOW LONG AN IMPLIED WARRANTY LASTS, SO THE ABOVE LIMITATION MAY NOT APPLY TO YOU. PROFORMANCE HOOPS DOES NOT ASSUME OR AUTHORIZE ANY PERSON TO ASSUME FOR US, ANY OTHER LIABILITY IN CONNECTION WITH THE SALE OF OUR PRODUCTS.

TO THE MAXIMUM EXTENT PERMITTED BY LAW, PROFORMANCE HOOPS ASSUMES NO RESPONSIBILITY FOR INCIDENTAL OR CONSEQUENTIAL DAMAGES, WHICH MAY ARISE FROM THE PURCHASERS OR USE OF OUR EQUIPMENT. SOME STATES DO NOT ALLOW THE EXCLUSION OR LIMITATIONS OF INCIDENTAL OR CONSEQUENTIAL DAMAGE, SO THE ABOVE LIMITATION OR EXCLUSION MAY NOT APPLY TO YOU.

IF ANY PROVISION OF THIS WARRANTY IS INVALID, VOID OR UNENFORCEABLE IN ANY INSTANCE OR RESPECT, THE UNENFORCEABLE PROVISION WILL BE SEVERED AND REFORMED TO EFFECT THE INTENT OF THIS LIMITED WARRANTY TO THE MAXIMUM EXTENT POSSIBLE, AND THE REMAINING PROVISIONS SHALL CONTINUE IN FULL FORCE AND EFFECT AND SHALL BE ENFORCED TO THE FULL EXTENT PERMITTED BY LAW.

This warranty gives you specific legal rights, and you may also have other rights, which vary from state to state