



## **PROforce Series**

*ADJUSTABLE HEIGHT  
GOAL SYSTEM*



**PROforce  
672/660/554**

***Installation  
& Owner's  
Instructions***



# SAFETY INSTRUCTIONS

**Failure to follow these safety instructions may result in serious injury or death and/or property damage.**

- Do not install or use this product unless the instructions within this manual have been carefully read and understood.
- Consult Proformance Hoops if you do not understand the instructions in this manual or need additional information
- Know what's below ground. "Call before you dig" the hole for the ground anchor. For the US the number is 811.
- If using a ladder during assembly, use extreme caution. Two or three people are recommended for safe installation and assembly.
- Installation and assembly of this product will require lifting and bending that may result in injury to anyone not accustomed to this type of activity.
- Ensure there are no overhead power lines within a 20 ft. (7m) radius of the goal location.
- Climate, corrosion or misuse could result in system failure.
- DO NOT HANG on the rim or any part of the goal system. This includes the backboard, support braces and net.
- During play, especially when performing dunking activities, players should keep their faces away from the backboard, rim and net. Serious injury could result if teeth or face come in contact with the backboard, rim or net. Do not wear jewelry or other loose objects that could become entangled with the net.
- Twice yearly, check the goal system for loose hardware, excessive wear and signs of corrosion. Repair the system before use.
- Never play on damaged equipment.

## GOAL ASSEMBLY

**IMPORTANT:** Concrete must cure a minimum of **72 hours** before installing goal.

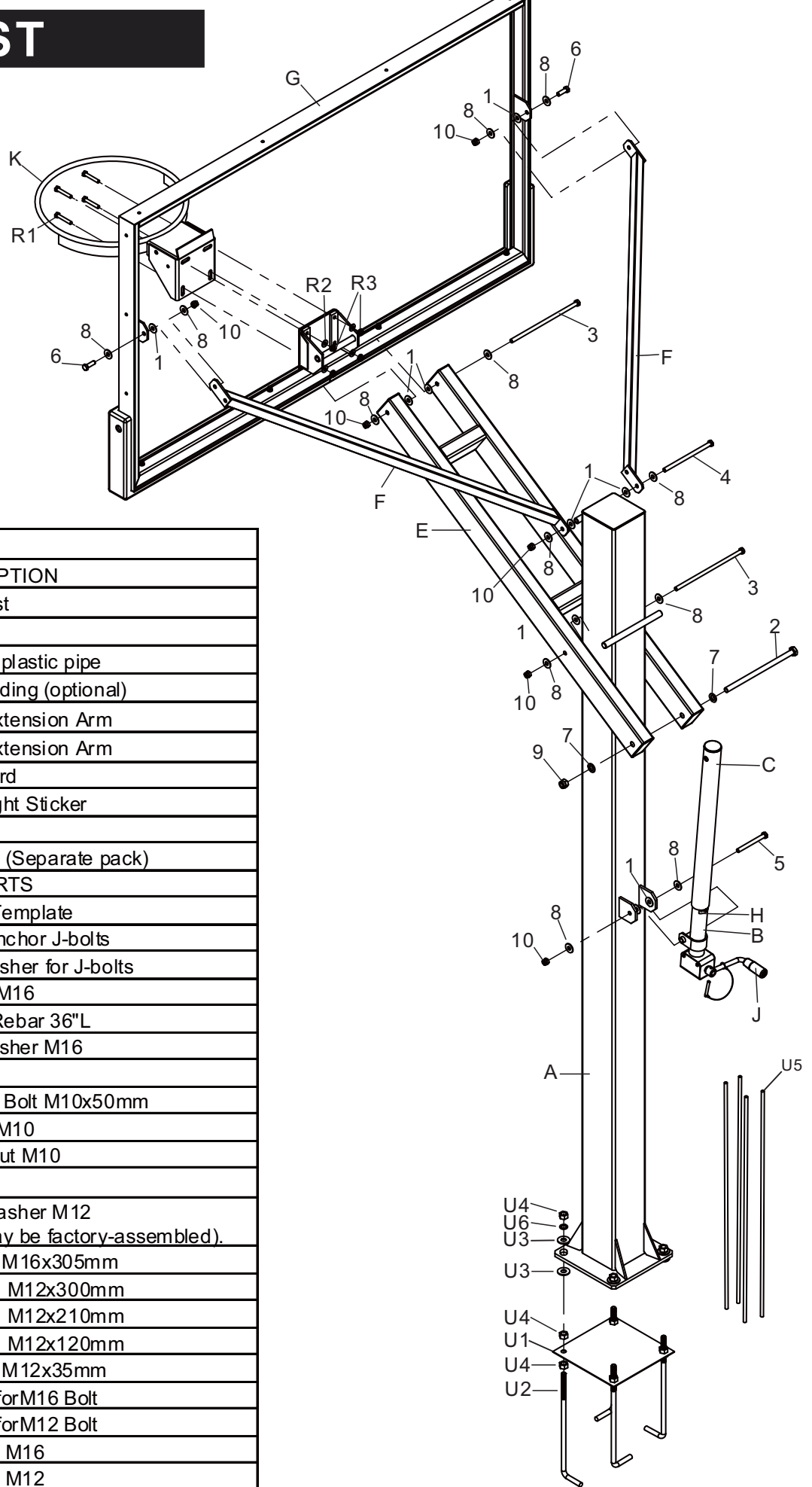
**IMPORTANT:** Safe assembly of the goal requires two to three people in good physical condition and capable of lifting 80-100 lbs (36-45 kg) each.

**IMPORTANT:** Locate and familiarize yourself with all the parts of the goal before beginning assembly.

### REQUIRED TOOLS AND MATERIALS:

Level	Sockets or wrenches:
Rubber Mallet	15mm (9/16")
12' Tape Measure	19mm (3/4")
Phillips Screwdriver	24mm (15/16")
Ratchet	27mm (1-1/16")

# PARTS LIST



PARTS LIST		
ITEM	QTY	DESCRIPTION
A	1	Main Post
B	1	Actuator
C	1	Actuator plastic pipe
D	1	Pole padding (optional)
E	1	Lower Extension Arm
F	2	Upper Extension Arm
G	1	Backboard
H	1	Rim Height Sticker
J	1	Crank
K	1	Flex Rim (Separate pack)
UNDERGROUND PARTS		
U1	1	Anchor Template
U2	4	16mm Anchor J-bolts
U3	8	Thick washer for J-bolts
U4	12	Hex nut M16
U5	4	Anchor Rebar 36"L
U6	4	Lock Washer M16
RIM HARDWARE		
R1	4	Carriage Bolt M10x50mm
R2	4	Washer M10
R3	4	Flange nut M10
HARDWARE LIST		
1	10	Nylon Washer M12 (2pcs may be factory-assembled).
2	1	Hex Bolt M16x305mm
3	2	Hex Bolt M12x300mm
4	1	Hex Bolt M12x210mm
5	1	Hex Bolt M12x120mm
6	2	Hex Bolt M12x35mm
7	2	Washer for M16 Bolt
8	12	Washer for M12 Bolt
9	1	Lock Nut M16
10	6	Lock Nut M12



# WARNING



**\*BECAUSE OF THE SIZE AND WEIGHT OF THE SYSTEM, A MINIMUM OF THREE ADULTS ARE REQUIRED FOR THE FOLLOWING STEPS\***

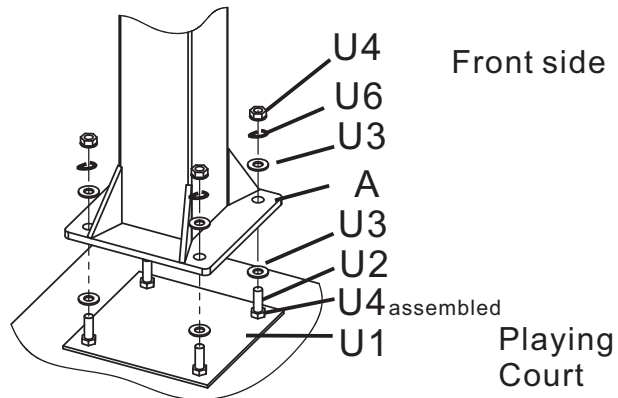
A hammer or mallet may be needed during assembly.

## 1. Place the Pole on the Anchor system.

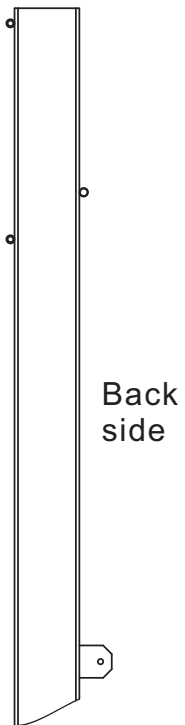
Slide one Thick washer M16 (U3) over each J-bolt (U2). Lift the Pole (A) onto Anchor system, secure with one thick washer (U3), one Lock washer M16 (U6) and one Hex nut (U4) for each J-bolt. See **Figure 1**.

If the Main Post (A) is not exactly vertical, adjust the 16mm J-Bolt Hex Nuts (U4) located under the Post base (A). Tighten all of the Hex Nuts (U4) Above Post base when Main Post (A) is vertical.

*NOTE: Face the Main Post (A) with Actuator Bracket facing away from playing court (as shown in **FIGURE 2**).*



**Figure1**

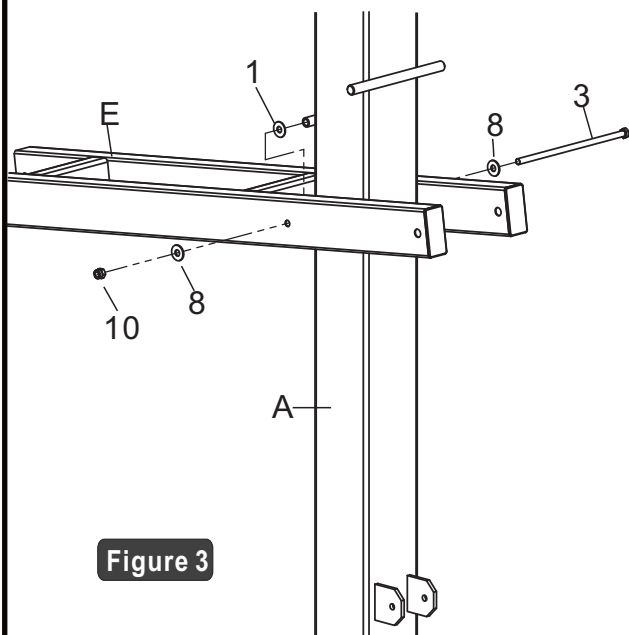


**Figure2**

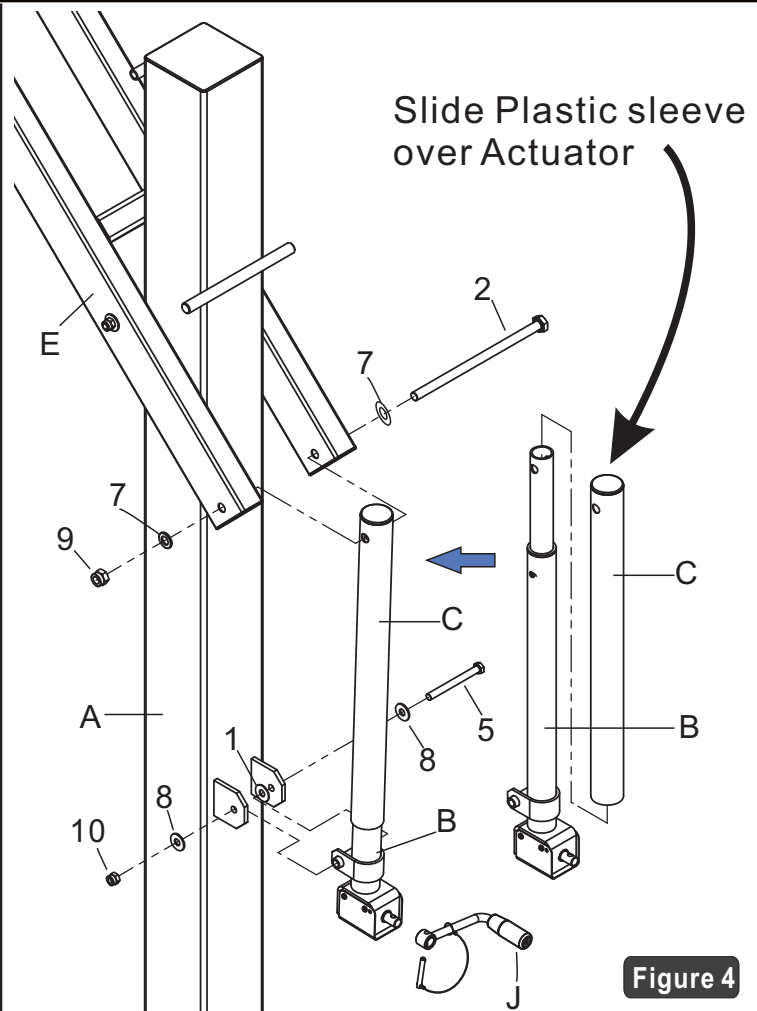
## 2. Attach Lower Extension arm (E) to Pole (A), as shown in Figure 3.

Secure it with one Hex bolt M12x300 (#3), two Flat washers M12 (#8), two Plastic Washers M12 (#1), one Lock nut M12 (#10). See **Figure 7**.

*Note: make sure Plastic washers go between Lower Extension and Pole.*



**Figure 3**



**Figure 4**

**4. Attached Actuator (B) to Lower extension Arm (F).**

Slide Actuator plastic sleeve (C) over top of Actuator (B), align the hole in the Plastic sleeve with the hole in the Actuator, See **Figure 4** in previous page.

Hold the Actuator assembly, align the hole in the Plastic sleeve (C) with the Rear hole of Lower extension Arm (F), attach them together with one Hex bolt M16x305 (#2), two Flat washers M16 (#7), and one Lock nut M16 (#9).

**5. Attached Actuator (B) to Actuator mounting plate (E).**

See **Figure 4** in previous page.

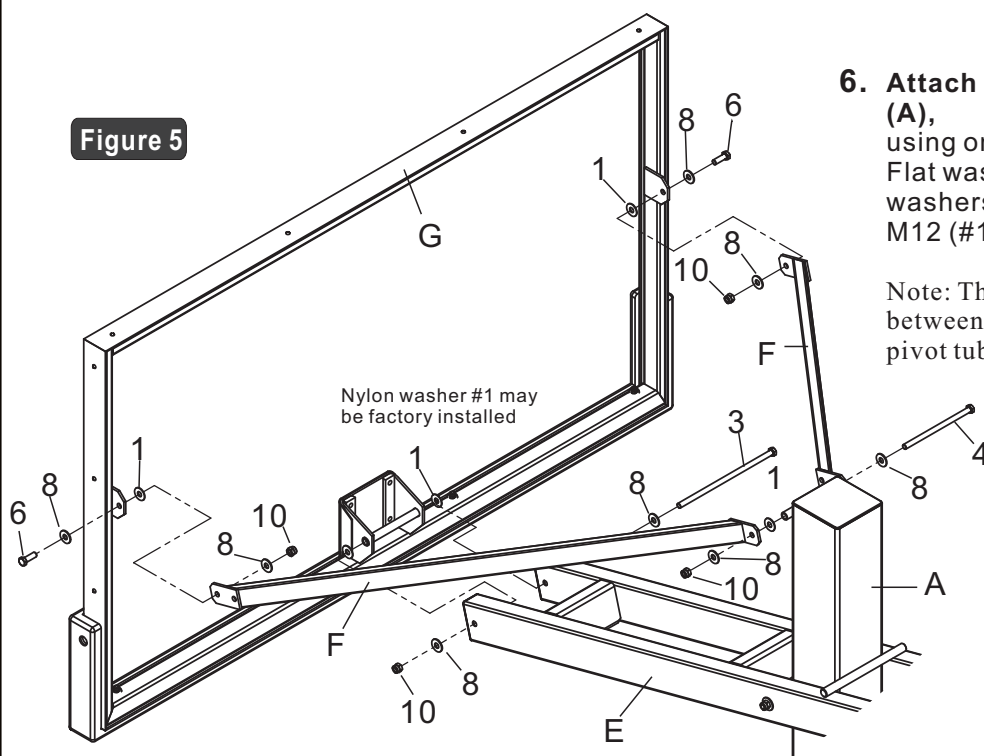
Move Actuator between two Mounting plate (E), secure them together with one Hex bolt M12x120 (#5), two Flat washer M12 (#8), two Plastic washers M12 (#1), and one Lock nut (#9).

Do not over tighten this bolt.

Note: make sure Plastic washers go between Mounting plate (E) and Actuator (B). It prevents painted parts from being scratched.

Attach Crank (J) to the bottom of Actuator with supplied Lock pin.

**Figure 5**



**6. Attach Upper Extension arm (F) to Pole (A),**

using one Hex bolt M12x210 (#4), two Flat washers M12 (#8), two Plastic washers M12 (#1), and one Lock nut M12 (#10). See **Figure 5**.

Note: The plastic washer should be placed between Upper extension arm (F) and Pole pivot tube (A).

**7. Attach Backboard (G) to Lower Extension arm (E).**

Turn crank to lower support frame (E) until against safety stop. With 3 capable adults, raise the Backboard assembly up and connect Lower Extension arm (E) to the Backboard Bracket using one Hex bolt M12x300 (#3), 2 washers M12 (#8), 2 Plastic washers M12 (#1), and 1 Lock nut M12 (#10).

Tighten this bolt snugly. See **Figure 5**.

Note:

The plastic washer goes between backboard bracket (G) and Lower extension arm (E).

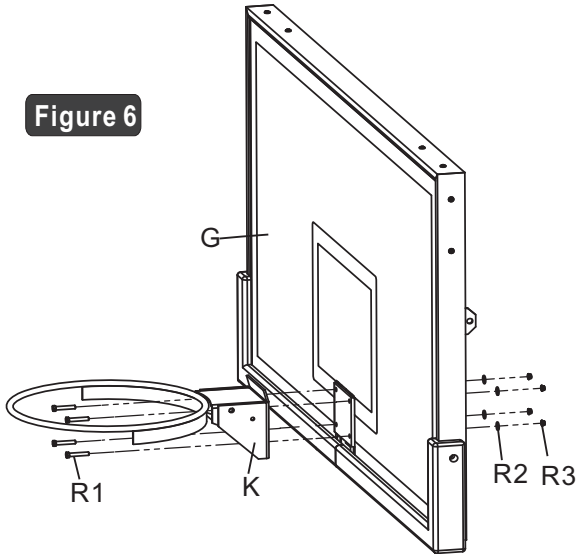
**8. Attach Backboard (G) to Upper Extension arm (F).**

Connect Upper board arm (F) to the Backboard edge using 2 Hex bolts M12x35 (#6), 4 Flat washers M12 (#8), 2 Plastic washers M12 (#1), and two Lock nuts M12 (#10).

Tighten the two bolts and nuts snugly.

See **Figure 5**.

**Figure 6**



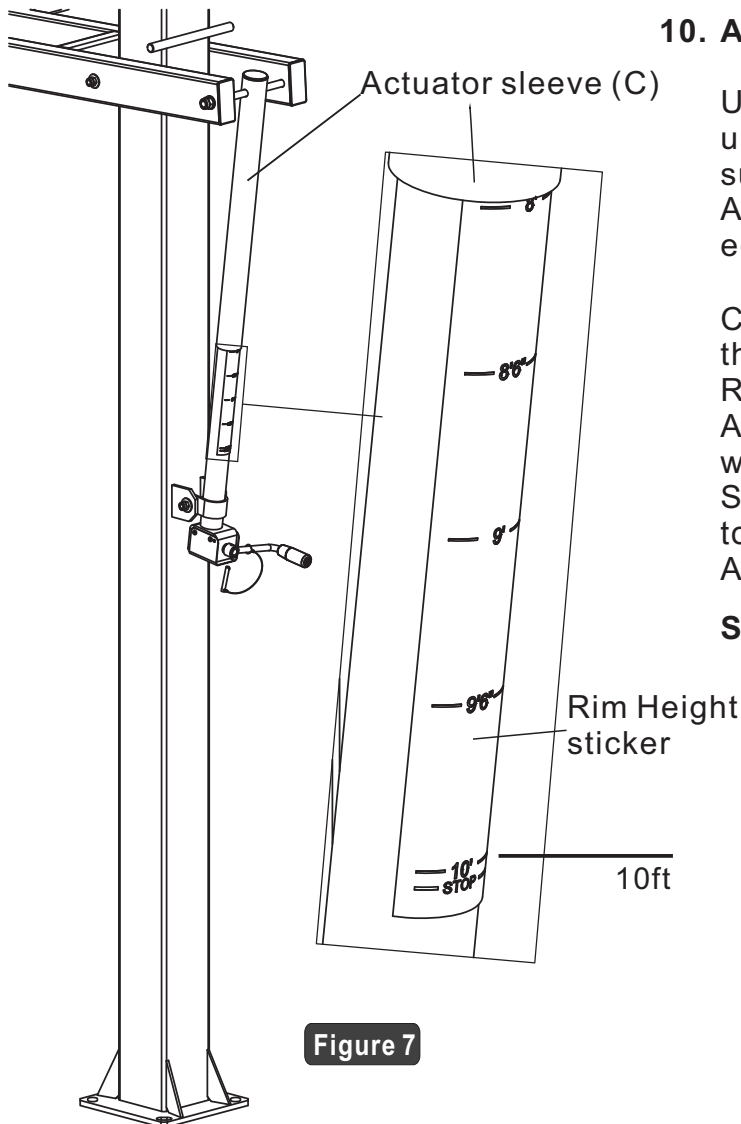
**9. Attach Goal (K) to Backboard (G).**

Remove the Rim box cover, put Goal against Rim pad (Pre-installed), secure it with 4 Carriage bolts M10x50 (#R1), 4 Flat washers M10 (#R2), 4 Flange nuts M10 (#R3) See **Figure 6**.

Tighten all four bolts and nuts.

Put Rim box cover back and secure it with removed screws.

*NOTE: Use a level to make sure rim is level side to side before tightening nuts.*



**10. Apply Rim Height Sticker**

Use a tape measure to crank rim up to exactly 10' from playing surface. Make a line mark on the Actuator (B) against bottom edge of Actuator Sleeve (C).

Crank the rim all the way down to the extreme end. Peel and apply Rim Height sticker to outside of Actuator (B) lining up the mark with the 10' mark on the Rim Height Sticker. The Sticker may need to be trimmed to clear the Actuator Sleeve.

**See Detail A.**

**Figure 7**

# **PROformance Hoops Warranty**

**(PROview® Series, PROforce Series, Pro Series, Extreme Series and Wall Mounts)**

## **BUYER AGREES THAT ALL PRODUCTS SOLD BY PROformance Hoops CARRY THE FOLLOWING WARRANTY**

Subject to proper installation, and normal intended use, all structural components of **PROview® Series, PROforce Series, Pro Series Extreme Series, and Wall Mount Basketball Systems** are warranted to the original owner to be free of defects in materials and workmanship for the duration of ownership by the original retail purchaser, subject to the limitations below. PROformance Hoops shall have the right to require the purchaser to deliver the allegedly defective products to PROformance Hoops for testing, repair, or replacement.

PROformance Hoops shall not be responsible for any expense associated with the replacement or removal of the product from its application for such delivery. Freight and handling charges may apply to covered warranty parts. Modification of any product by the customer, unless approved by PROformance Hoops, will void all warranty. Where listed as "**LIMITED**", the warranties shall cover damage of failure that occurs during the course of **NORMAL** or **INTENDED USE** of the product. Normal or intended use shall be described as activity that is necessary for the participation in the sport for which the equipment is damaged. **NOT COVERED** is damaged caused by deliberate hanging, multiple player hanging, vandalism, non-basketball activities, or any other activity that could be regarded as abusive.

Backboard Edge Padding: Three (3) year limited;  
**Indoor** Backboard Edge Padding: Five (5) year limited  
Custom-Fit Pole Padding: 3 year limited;  
Wrap-Around Pole Padding: one year limited.

### **NOT COVERED BY THIS WARRANTY**

- Use in non-residential applications of glass backboards.
- Use in non-residential applications of traditional complete systems.
- Any products subjected to abuse, negligence, improper installation, vandalism, acts of God, alteration of product or any other events beyond the control of PROformance Hoops.
- Paint or rusted parts.
- Deterioration of product due to time and wear.

Normal deterioration of products due to atmospheric conditions, weather, rust, wear and tear (including paint), or other causes that do not affect functional use are not covered by PROformance Hoops warranties. All warranties are valid only when product is used in the intended application, and when installed according to PROformance Hoops instructions. Warranty will be void if maintenance instructions in the Owner's Manual are not followed, including jack lubrication on a bi-yearly basis. If you did not receive an Owner's Manual, please contact ProformanceHoops.com and one will be sent to you.

**WARRANTY CLAIMS:** All returns must be arranged through the local dealer if available. Warranties do not cover dealer service charges, labor charges, freight or travel expense associated with replacement, repair, or removal of warranty item. A warranty claim form must be completed, and photos submitted for any item you wish to claim under warranty. If the purchase was not made through a dealer, this form is available on proformance.com. In response to your claim, you will receive a confirmation as well as a notice stating whether PROformance Hoops needs your warranty item returned. PROformance Hoops will notify you if we determine that the item cannot be claimed under warranty. **PROformance Hoops is not responsible for any charges for labor to install or repair defective product prior authorization. PROformance Hoops will determine the most economical method to either repair or replace product before any work is to commence.**

**TO THE MAXIMUM EXTENT PERMITTED BY LAW, THIS WARRANTY AND THE REMEDIES SET FORTH HEREIN ARE EXCLUSIVE AND EXPRESSLY IN LIEU OF ALL OTHER WARRANTIES, EXPRESSED OR IMPLIED, INCLUDING WARRANTIES OR MERCHANTABILITY OR FITNESS FOR A PARTICULAR PURPOSE. IF PROFORMANCE HOOPS CANNOT DISCLAIM OR EXCLUDE IMPLIED WARRANTIES UNDER APPLICABLE LAW, THEN TO THE EXTENT POSSIBLE ANY CLAIMS UNDER SUCH IMPLIED WARRANTIES SHALL EXPIRE OR EXPIRATION OR THE APPLICABLE WARRANTY PERIOD. SOME STATES DO NOT ALLOW LIMITATIONS ON HOW LONG IMPLIED WARRANTY LASTS, SO THE ABOVE LIMITATION MAY NOT APPLY TO YOU. PROFORMANCE HOOPS DOES NOT ASSUME OR AUTHORIZE ANY PERSON TO ASSUME FOR US, ANY OTHER LIABILITY IN CONNECTION WITH THE SALE OF OUR PRODUCTS.**

**TO THE MAXIMUM EXTENT PERMITTED BY LAW, PROFORMANCE HOOPS ASSUMES NO RESPONSIBILITY FOR INCIDENTAL OR CONSEQUENTIAL DAMAGES, WHICH MAY ARISE FROM THE PURCHASERS OR USE OF OUR EQUIPMENT. SOME STATES DO NOT ALLOW THE EXCLUSION OR LIMITATIONS OF INCIDENTAL OR CONSEQUENTIAL DAMAGE, SO THE ABOVE LIMITATION OR EXCLUSION MAY NOT APPLY TO YOU.**

**IF ANY PROVISION OF THIS WARRANTY IS INVALID, VOID OR UNENFORCEABLE IN ANY INSTANCE OR RESPECT, THE UNENFORCEABLE PROVISION WILL BE SEVERED AND REFORMED TO EFFECT THE INTENT OF THIS LIMITED WARRANTY TO THE MAXIMUM EXTENT POSSIBLE, AND THE REMAINING PROVISIONS SHALL CONTINUE IN FULL FORCE AND EFFECT AND SHALL BE ENFORCED TO THE FULL EXTENT PERMITTED BY LAW.**

This warranty gives you specific legal rights, and you may also have other rights, which vary from state to state